

WELKER GROUND BLOCK RETRACT CYLINDER

Produces a consistent pressurized ground even after significant electrode wear. Increases weld consistency.

Retractable ground blocks allow easy part removal or transfer.

100% Electrically insulated.

Standard copper intermediate block allows easy shunt connection.

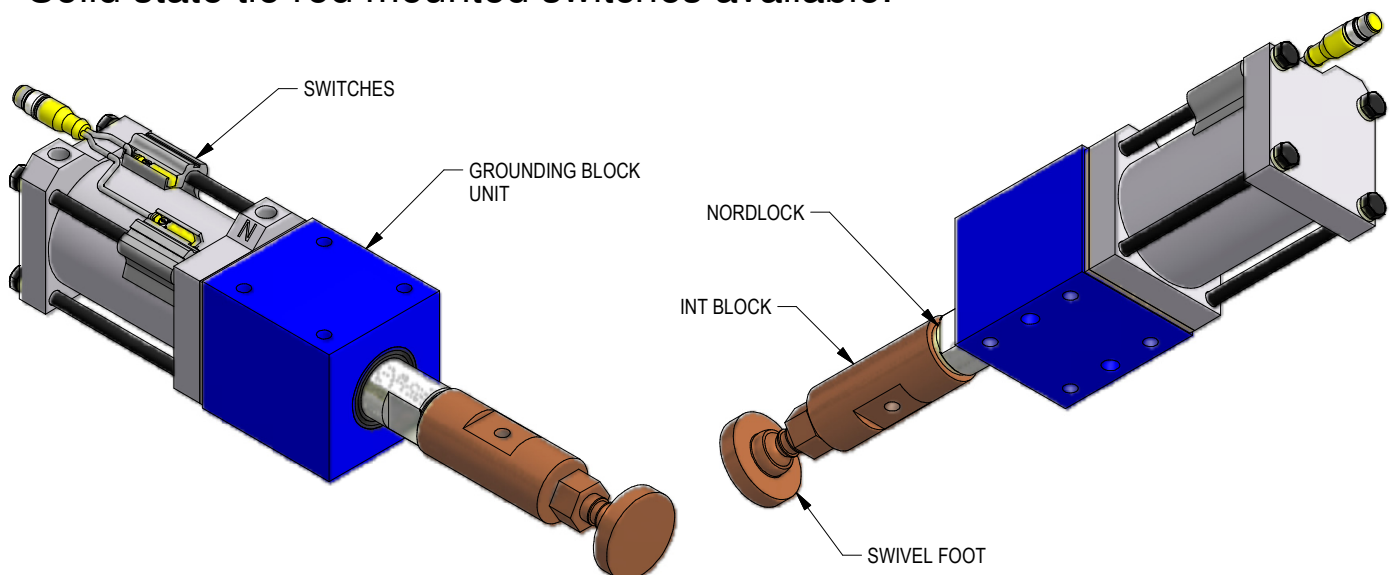
Fits standard 1/2NPT swivel foot ground blocks.

Bi-directional body mounting.

Lubrication free design.

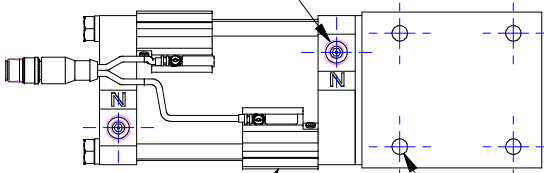
4 standard stroke lengths 25,32,50,75mm.

Solid state tie rod mounted switches available.



GENERAL DIMENSIONS

2X 1/4 NPT or G PORTS



OPTIONAL "L0" SWITCH (CUSTOMER MOUNTED)

4X Ø8.5 DRILL THRU FROM FAR SIDE FOR THRU BOLT MOUNTING

ORDERING INFORMATION:

S01269 - STROKE - PORT TYPE - PORT LOCATION - SWITCH - NOSE

STROKE 032mm (025, 050, 075, 100)

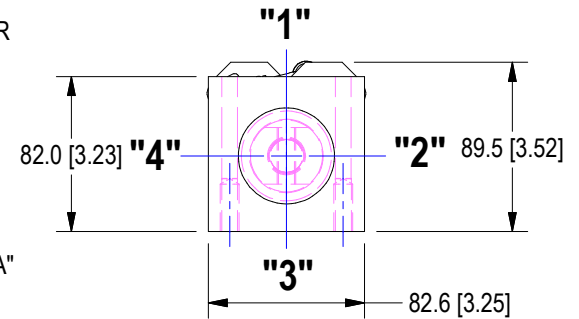
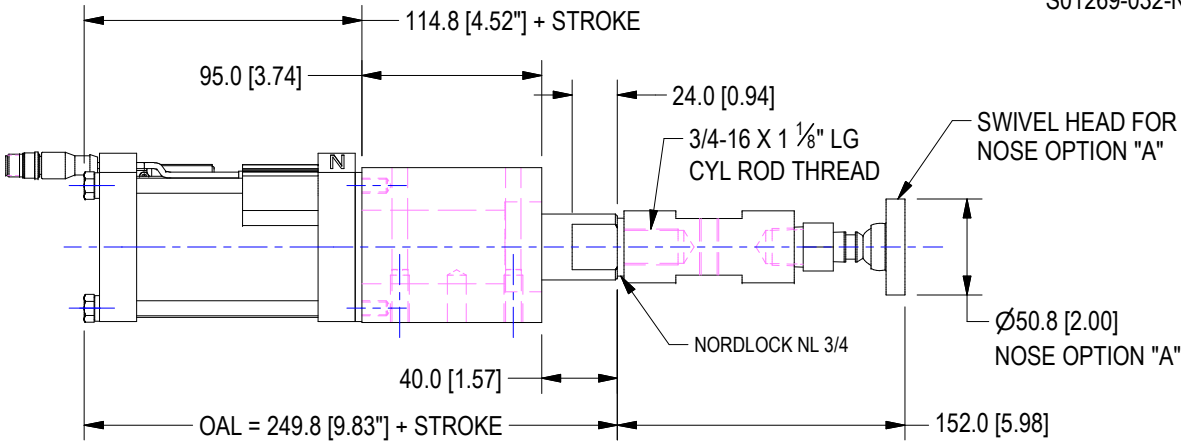
"N"PT or "G" PORTS

"1" SHN (2, 3, or 4)

"00" or "L0" SWITCH OPTION

"0" or "A" NOSE OPTION

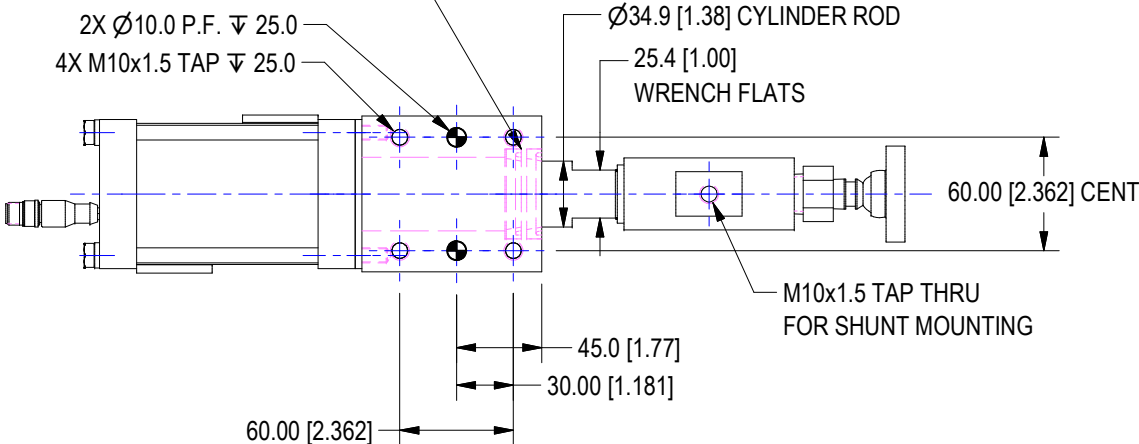
PART NUMBER EXAMPLE - FOR 32mm STROKE, NPT PORTS @ POSITION 1, W/ SWITCH & NOSE "A", ORDER AS: S01269-032-N-1-L0-A



DOUBLE URETHANE WIPERS

2X Ø10.0 P.F. ▽ 25.0

4X M10x1.5 TAP ▽ 25.0



UNIT INFORMATION:

1. ELECTRICALLY INSULATED.
2. COMES WITH A MAGNETIC BAND ON THE CYLINDER PISTON FOR USE WITH STANDARD TIE ROD MOUNTED CYLINDER SWITCHES.
3. CYLINDER IS A Ø2 3/4" BORE WITH Ø1 3/8" CHROME PLATED ROD.
4. NOSE OPTION "A" DETAILS ARE ALL COPPER.

(DO NOT SCALE DRAWING)

WELKER
ENGINEERED PRODUCTS
248-528-2020 www.e-welker.com