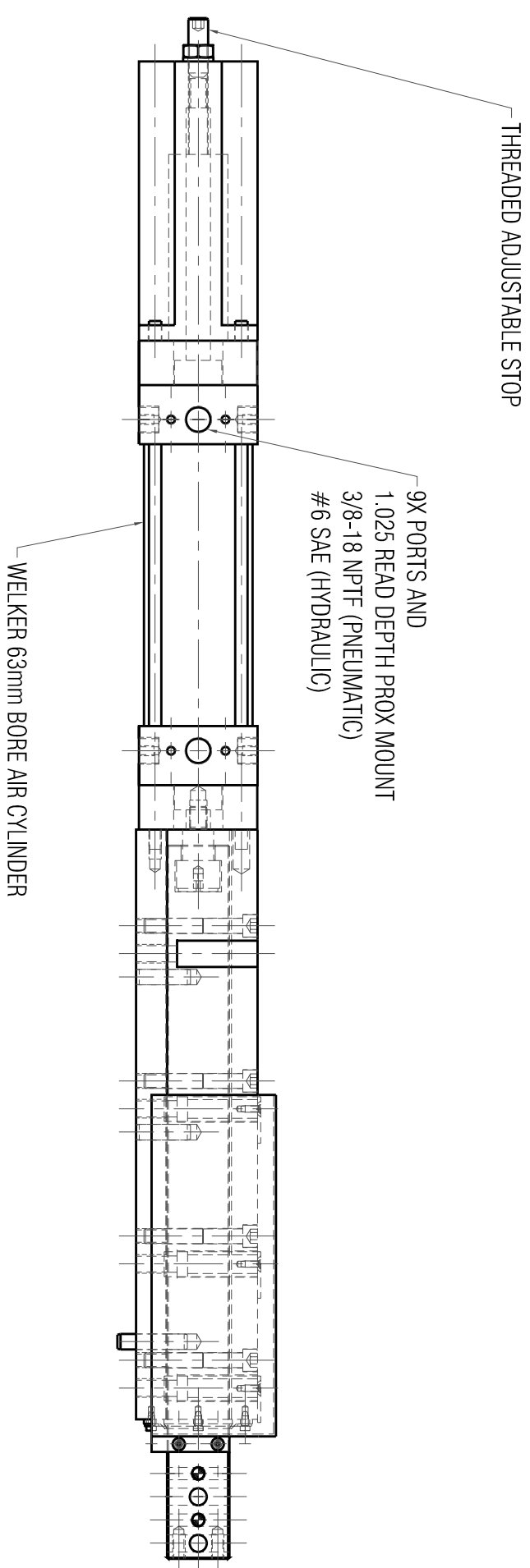
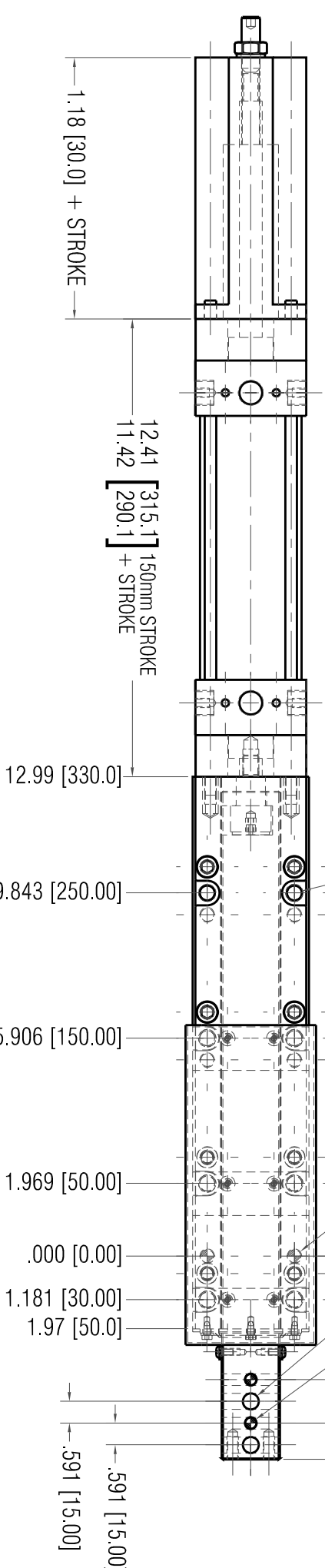


8X M12 X 1.75 TAP THRU  
Ø.669 [Ø 17.0] CBORE  
THRU FOR M10 OR 3/8 SHCS

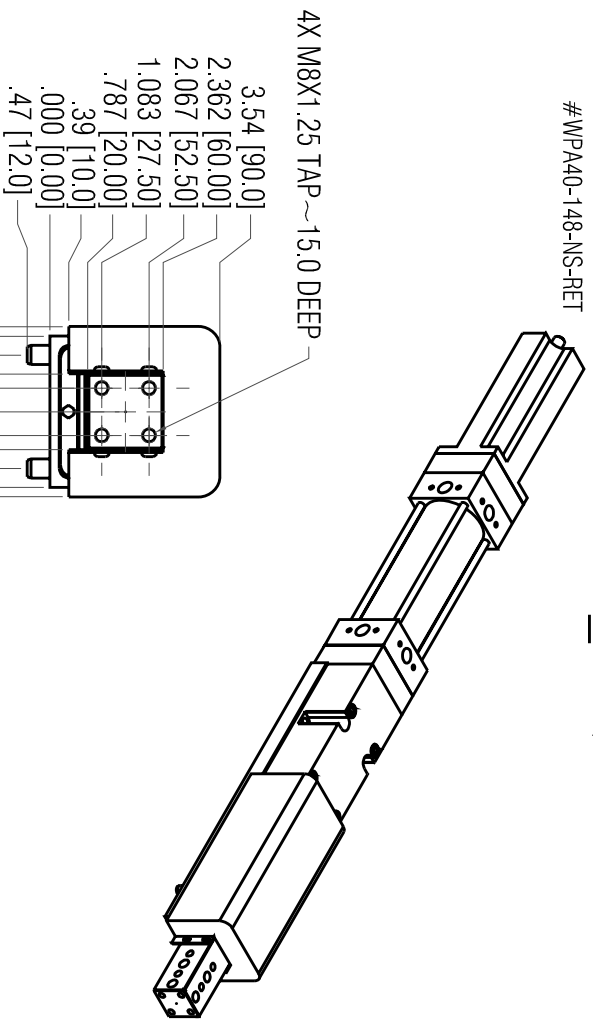
4X RM FOR Ø8mm DOWEL  
P.F. THRU  
4XØ7/16 [Ø11] DRILL THRU  
2X Ø10mm DOWELS  
PROTRUDING 12mm  
FROM FAR SIDE



ORDERING INFORMATION:  
#WPA40-{STROKE}-{HYD CYL OPT}-{COUPLER}-{DIRECTION OF STOP}  
150-200mm  
RAP or RIGID  
RET

OPTIONS NOTES:  
1) HYDRAULIC CYLINDER OPTION: UNIT COMES STANDARD WITH 63mm BORE PNEUMATIC CYLINDER. FOR 40mm BORE HYDRAULIC CYLINDER, ADD "-H" TO PART #.  
2) COUPLER OPTION: RAP COUPLING CAUSES THE UNIT STROKE TO BE 2mm[.08"] LESS THAN THE NOMINAL STROKE OF THE CYLINDER. UNLESS OTHERWISE SPECIFIED, THE PNEUMATIC CYLINDER COMES STANDARD WITH THE RAP COUPLING.  
3) DIRECTION OF STOP OPTION: SPECIFY THE DIRECTION FOR THE ADJUSTABLE STOP. UNIT CAN STOP IN THE EXTEND, "-EXT", OR THE RETRACT, "-RET". DIRECTION OF STROKE. FOR DIMENSIONAL INFORMATION ON "-EXT" OPTION, SEE EXTEND STOP TEMPLATE.  
4) UNITS COME STANDARD WITH A SHROUD AS SHOWN. TO ORDER THE UNIT WITHOUT A SHROUD, ADD SUFFIX "-NS" TO THE END OF THE PART NUMBER.

PART NUMBER EXAMPLES:  
TO ORDER UNIT AS SHOWN WITH 150mm STROKE, RIGID COUPLING, & RETRACT STOP, ORDER AS:  
#WPA40-150-RIGID-RET  
TO ORDER UNIT AS SHOWN WITH A RAP COUPLING & NO SHROUD, ORDER AS:  
#WPA40-148-NS-RET



# RETRACT STOP TEMPLATE ONLY

DATE		3/7/2005	
STATUS		Released	
<b>WELKER BEARING COMPANY</b>			
<b>RETRACT STOP TEMPLATE ONLY</b>			
<b>TEMPLATE</b>			
DATE	DATE	DATE	DATE
3/7/2005	3/7/2005	3/7/2005	3/7/2005
DATE	DATE	DATE	DATE
3/7/2005	3/7/2005	3/7/2005	3/7/2005