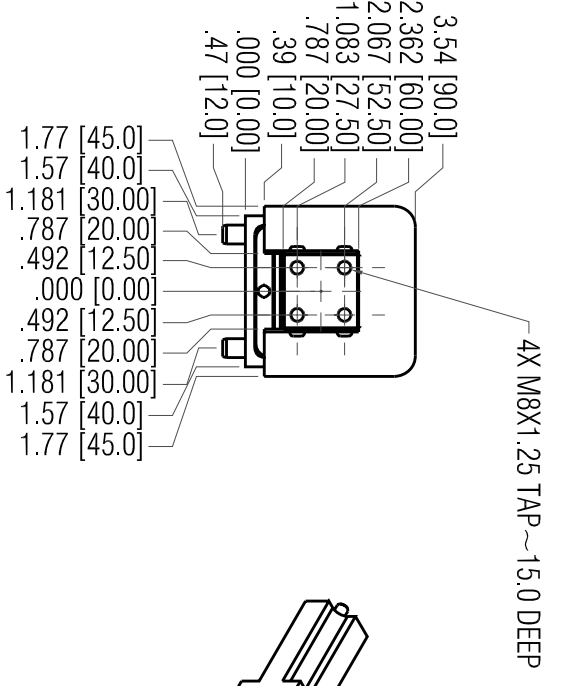
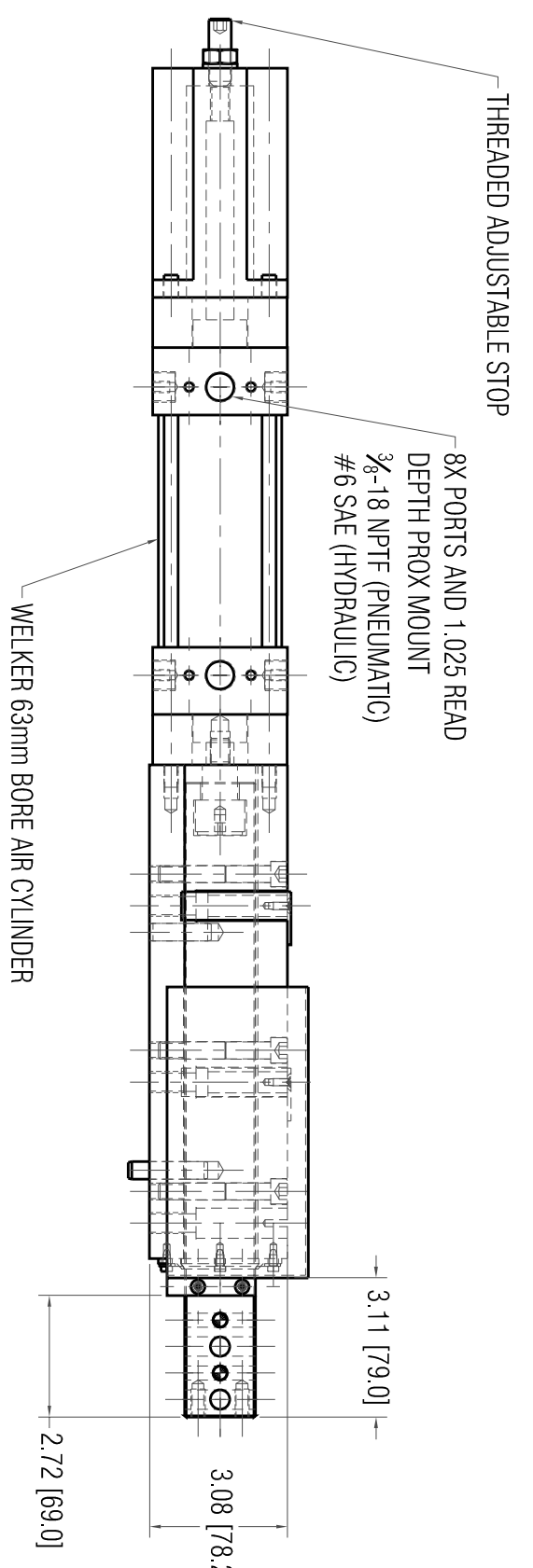
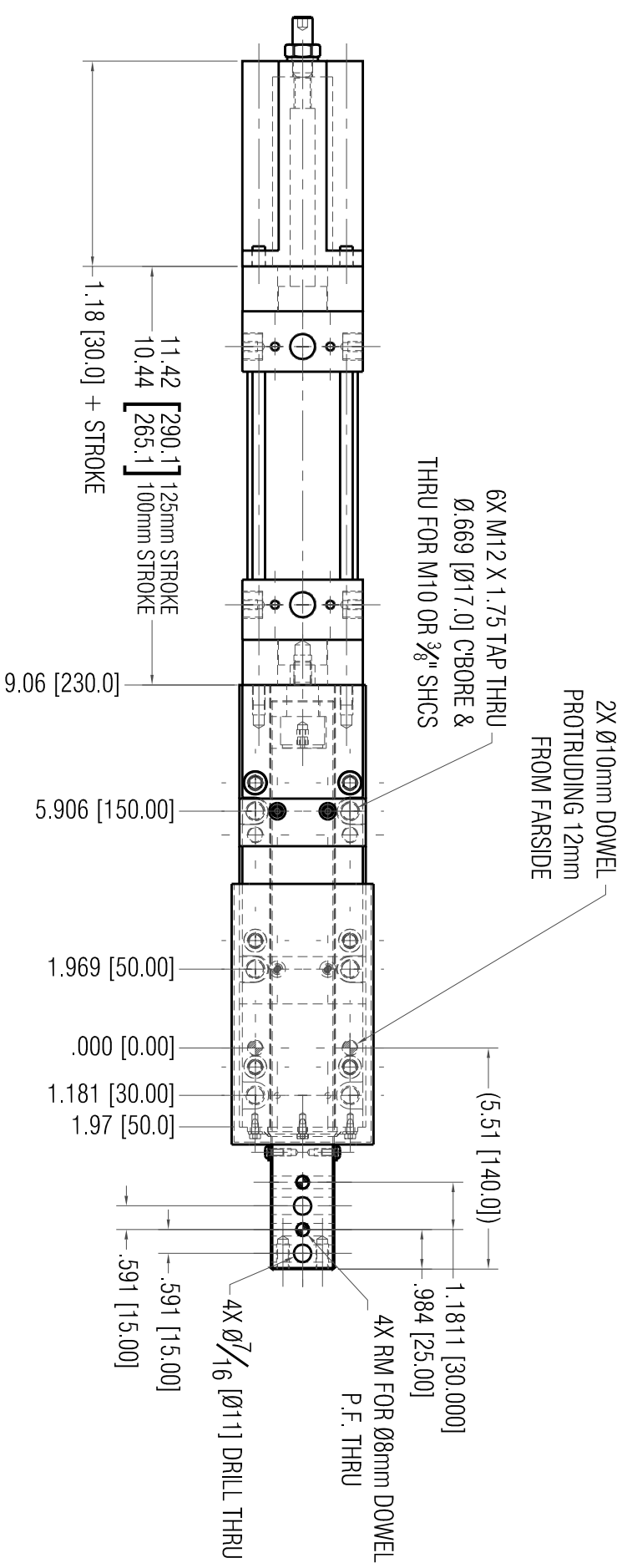


ORDERING INFORMATION:
 #WPA40-{STROKE}-{HYD CYL OPT}-{COUPLER}-{DIRECTION OF STOP}
 100-125mm H
 RAP or RIGID
 RET

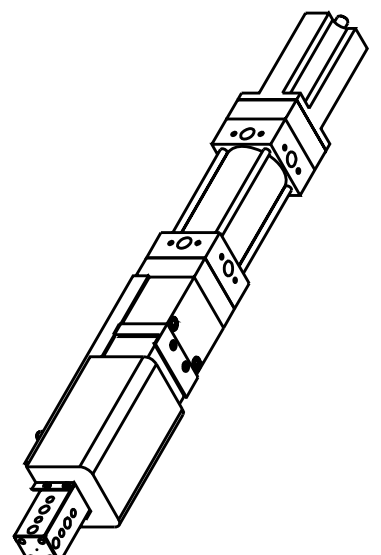
OPTIONS NOTES:

- 1) HYDRAULIC CYLINDER OPTION: UNIT COMES STANDARD WITH 63mm BORE PNEUMATIC CYLINDER. FOR 40mm BORE HYDRAULIC CYLINDER, ADD "-H" TO PART #.
- 2) COUPLER OPTION: RAP COUPLING CAUSES THE UNIT STROKE TO BE 2mm(.08") LESS THAN THE NOMINAL STROKE OF THE CYLINDER. UNLESS OTHERWISE SPECIFIED, THE PNEUMATIC CYLINDER COMES STANDARD WITH THE RAP COUPLING.
- 3) DIRECTION OF STOP OPTION: SPECIFY THE DIRECTION FOR THE ADJUSTABLE STOP. UNIT CAN STOP IN THE EXTEND, "-EXT", OR THE RETRACT, "-RET", DIRECTION OF STROKE. FOR DIMENSIONAL INFORMATION ON "-EXT" OPTION, SEE EXTEND STOP TEMPLATE.
- 4) UNITS COME STANDARD WITH A SHROUD AS SHOWN. TO ORDER THE UNIT WITHOUT A SHROUD, ADD SUFFIX "-NS" TO THE END OF THE PART NUMBER.

PART NUMBER EXAMPLES:
 TO ORDER UNIT AS SHOWN WITH 100mm STROKE, RIGID COUPLING, & RETRACT STOP, ORDER AS: #WPA40-100-RIGID-RET
 TO ORDER UNIT AS SHOWN WITH A RAP COUPLING & NO SHROUD, ORDER AS: #WPA40-98-NS-RET



RETRACT STOP TEMPLATE ONLY



WELKER BEARING COMPANY

7202 MAINE
 WPA-40 4-5 EXT/RET STOP
 TEMPLATE

DATE	STATUS	DESIGNER	DATE	CHECKER	DATE
3/27/2005	Released	DJH	01/15/2004	RCA	01/15/2004
SCALE	HALL	SCALE	HALL	SCALE	HALL

WPAA40L23.DWG