

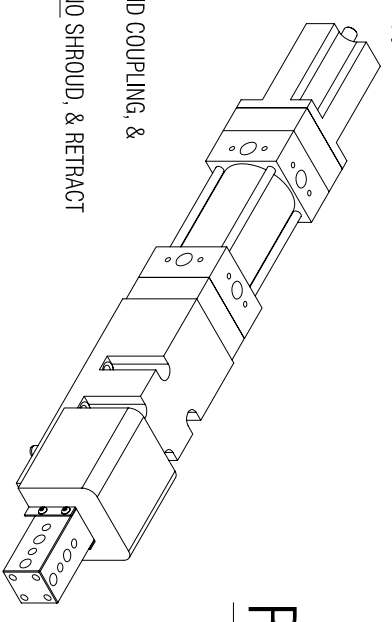
8X PORTS AND 1.025 READ DEPTH PROX MOUNT
 3/8-18 NPTF (PNEUMATIC)
 #6 SAE (HYDRAULIC)

RETRACT STOP TEMPLATE ONLY

ORDERING INFORMATION:
 #WPA40-{STROKE}-{HYD CYL OPT}-{COUPLER}-{DIRECTION OF STOP}

OPTIONS NOTES:
 1) HYDRAULIC CYLINDER OPTION: UNIT COMES STANDARD WITH 63mm BORE PNEUMATIC CYLINDER. FOR 40mm BORE HYDRAULIC CYLINDER, ADD "-H" TO PART #.
 2) COUPLER OPTION: RAP COUPLING CAUSES THE UNIT STROKE TO BE 2mm[.08"] LESS THAN THE NOMINAL STROKE OF THE CYLINDER. UNLESS OTHERWISE SPECIFIED, THE PNEUMATIC CYLINDER COMES STANDARD WITH THE RAP COUPLING.
 3) DIRECTION OF STOP OPTION: SPECIFY THE DIRECTION FOR THE ADJUSTABLE STOP. UNIT CAN STOP IN THE EXTEND, "-EXT", OR THE RETRACT, "-RET", DIRECTION OF STROKE. FOR DIMENSIONAL INFORMATION ON "-EXT" OPTION, SEE EXTEND STOP TEMPLATE.
 4) UNITS COME STANDARD WITH A SHROUD AS SHOWN. TO ORDER THE UNIT WITHOUT A SHROUD, ADD SUFFIX "-NS" TO THE END OF THE PART NUMBER.

PART NUMBER EXAMPLES:
 TO ORDER UNIT AS SHOWN WITH 75mm STROKE, RIGID COUPLING, & RETRACT STOP, ORDER AS: #WPA40-75-RIGID-RET
 TO ORDER UNIT AS SHOWN WITH A RAP COUPLING, NO SHROUD, & RETRACT STOP, ORDER AS: #WPA40-73-NS-RET



UNIT WEIGHT 18 LBS.

DATE		9/12/2005	
STATUS		Released	
WEIKER BEARING COMPANY			
TEMPLATE			
WPA40 W/ SHORT STROKE OPTION-75mm STROKE			
DESIGNER	DATE	CHECKED BY	ENG. APPROVAL
DH	6/19/2003	RCA	
SCALE 1/2		PART NAME WPA40L22.DWG	