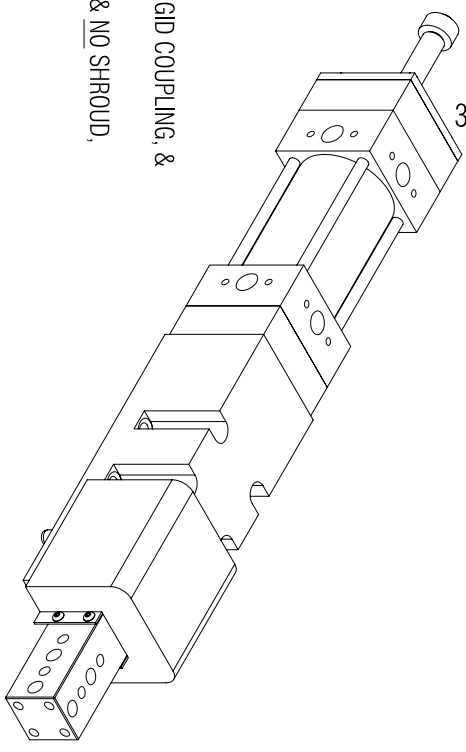


OPTIONS NOTES:

- 1) HYDRAULIC CYLINDER OPTION: UNIT COMES STANDARD WITH 63mm BORE PNEUMATIC CYLINDER. FOR 40mm BORE HYDRAULIC CYLINDER, ADD "-H" TO PART #.
- 2) COUPLER OPTION: RAP COUPLING CAUSES THE UNIT STROKE TO BE 2mm(.08") LESS THAN THE NOMINAL STROKE OF THE CYLINDER. UNLESS OTHERWISE SPECIFIED, THE PNEUMATIC CYLINDER COMES STANDARD WITH THE RAP COUPLING.
- 3) DIRECTION OF STOP OPTION: SPECIFY THE DIRECTION FOR THE ADJUSTABLE STOP. UNIT CAN STOP IN THE EXTEND, "-EXT", OR THE RETRACT, "-RET". DIRECTION OF STROKE. FOR DIMENSIONAL INFORMATION ON "-RET" OPTION, SEE RETRACT STOP TEMPLATE.
- 4) UNITS COME STANDARD WITH A SHROUD AS SHOWN. TO ORDER THE UNIT WITHOUT A SHROUD, ADD SUFFIX "-NS" TO THE END OF THE PART NUMBER.

PART NUMBER EXAMPLES:

TO ORDER UNIT AS SHOWN WITH 75mm STROKE, RIGID COUPLING, & EXTEND STOP, ORDER AS: #WPA40-75-RIGID-EXT
TO ORDER UNIT AS SHOWN WITH A RAP COUPLING & NO SHROUD, ORDER AS: #WPA40-73-NS-EXT



EXTEND STOP TEMPLATE ONLY

UNIT WEIGHT 18 LBS.

DATE		9/12/2005	
STATUS		Released	
WEIKER BEARING COMPANY			
TEMPLATE			
WPA40 W/ SHORT STROKE OPTION-75mm STROKE			
DESIGNED BY	DATE	CHECKED BY	DATE
DH	6/19/2003	RCA	APPROVAL
SCALE	1/2	PART NAME	WPA40L22.DWG