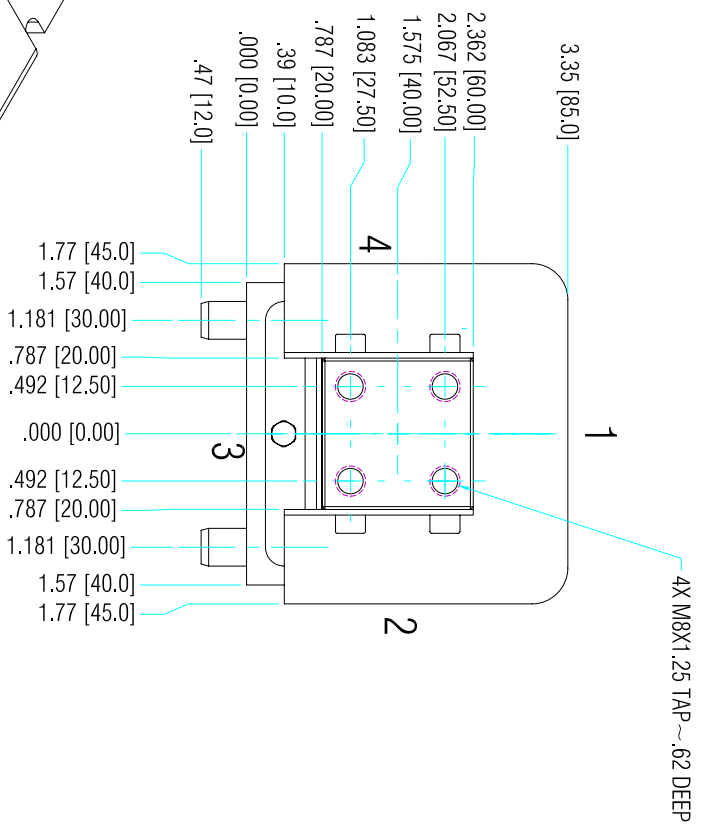
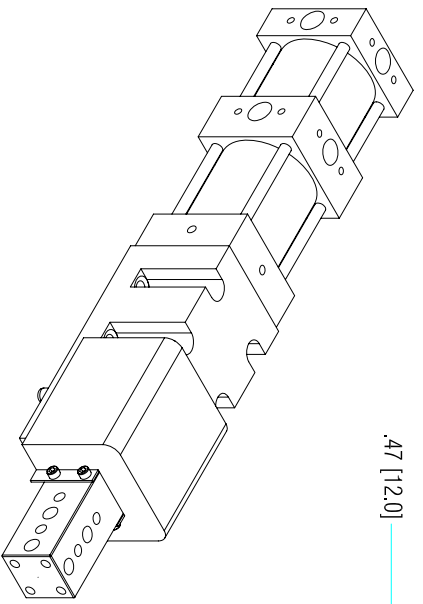
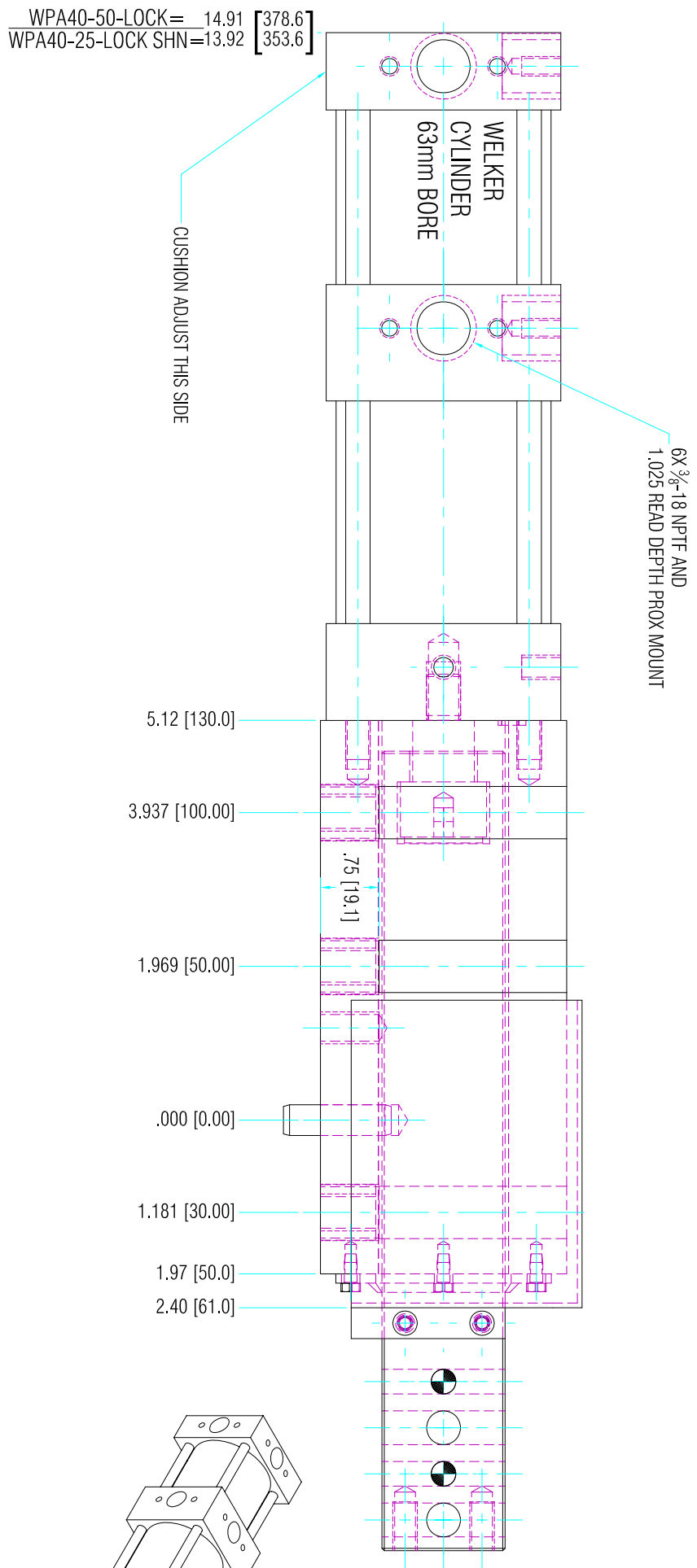


ORDERING INFORMATION:
 #WPA40-{STROKE}-{COUPLER}-{LOCK OPTION}
 25-50mm RAP or RIGID LOCK

OPTIONS NOTES:

- 1) LOCKING UNIT COMES STANDARD WITH WELKER 63mm BORE AIR CYLINDER.
- 2) COUPLER OPTION: RAP COUPLING CAUSES THE UNIT STROKE TO BE 2mm [.08"] LESS THAN THE NOMINAL STROKE OF THE CYLINDER. UNLESS OTHERWISE SPECIFIED, THE PNEUMATIC CYLINDER COMES STANDARD WITH THE RAP COUPLING.
- 3) UNITS COME STANDARD WITH A SHROUD AS SHOWN. TO ORDER THE UNIT WITHOUT A SHROUD, ADD SUFFIX "-NS" TO THE END OF THE PART NUMBER.

PART NUMBER EXAMPLES:
 TO ORDER UNIT AS SHOWN WITH 25mm STROKE & RIGID COUPLING, ORDER AS:
 #WPA40-25-RIGID-LOCK
 TO ORDER UNIT AS SHOWN WITH A RAP COUPLING & NO SHROUD, ORDER AS:
 #WPA40-23-LOCK-NS



UNIT WEIGHT 27LBS.

DATE		DATE		DATE	
9/12/2005	Released	10/5/2001	RCA	10/5/2001	RCA
STATUS		SCALE		SCALE	
Released		HALF		HALF	
WELKER BEARING COMPANY					
TEMPLATE					
WPA40 Short Pin - 25/50mm Stroke with Locking Cylinder					
WPA40L11.DWG					