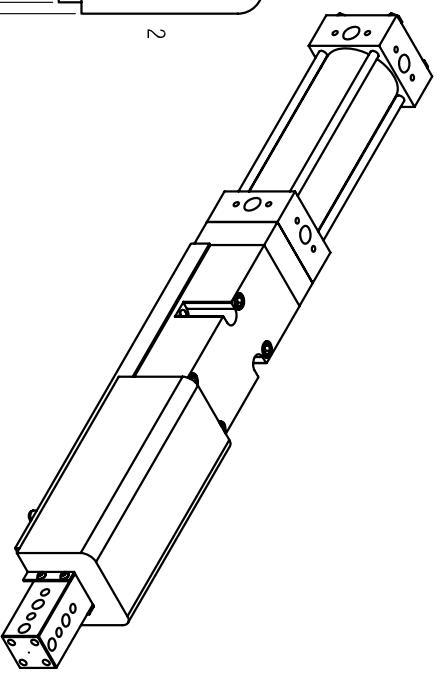
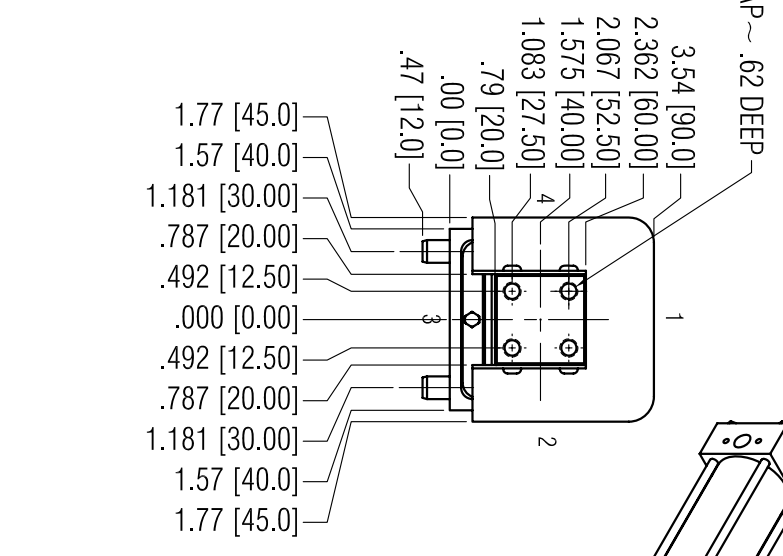
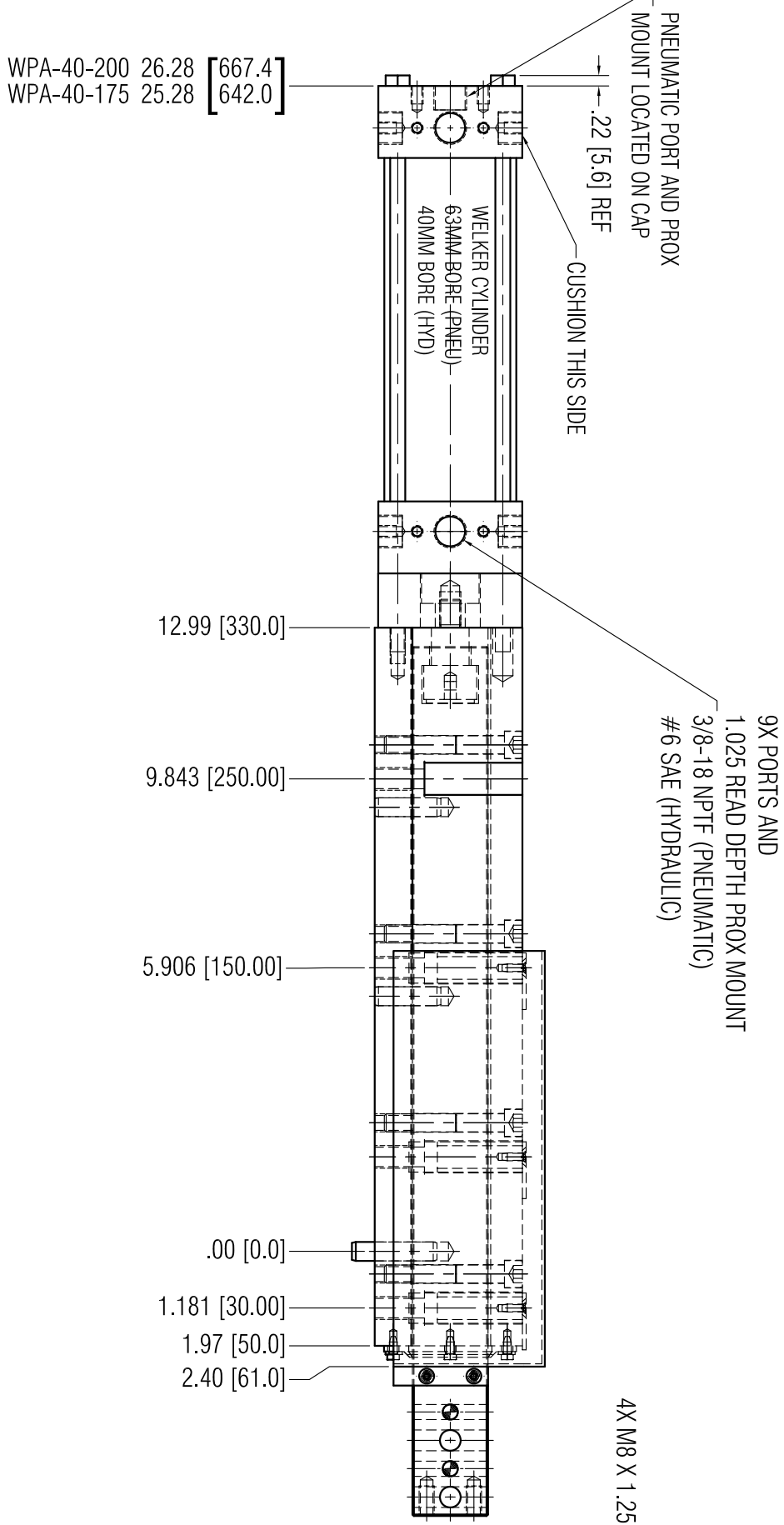


ORDERING INFORMATION:
 #WPA40-{STROKE}-{HYDRAULIC CYL OPTION}-{COUPLER}
 150-200mm H _____
 RAP or RIGID _____

OPTIONS NOTES:
 1) CYL OPTION: WPA40 COMES STANDARD WITH WELKER 63mm BORE AIR CYLINDER, UNLESS HYDRAULIC OPTION, "-H" IS SPECIFIED. HYDRAULIC CYLINDER IS A WELKER 40mm BORE.
 2) COUPLER OPTION: RAP COUPLING CAUSES THE UNIT STROKE TO BE 2mm(.08") LESS THAN THE NOMINAL STROKE OF THE CYLINDER. UNLESS OTHERWISE SPECIFIED, THE PNEUMATIC CYLINDER COMES STANDARD WITH THE RAP COUPLING AND THE HYDRAULIC CYLINDER COMES STANDARD WITH THE RIGID COUPLING.
 3) UNITS COME STANDARD WITH A SHROUD AS SHOWN. TO ORDER THE UNIT WITHOUT A SHROUD, ADD SUFFIX "-NS" TO THE END OF THE PART NUMBER.

PART NUMBER EXAMPLES:
 TO ORDER UNIT AS SHOWN WITH 150mm STROKE & RIGID COUPLING, ORDER AS:
 #WPA40-150-RIGID
 TO ORDER UNIT AS SHOWN WITH A RAP COUPLING & NO SHROUD, ORDER AS:
 #WPA40-148-NS
 TO ORDER UNIT AS SHOWN WITH HYDRAULIC CYLINDER & RIGID COUPLER:
 #WPA40-150-H
 TO ORDER UNIT AS SHOWN WITH HYDRAULIC CYLINDER, RAP COUPLER AND NO SHROUD:
 #WPA40-148-H-RAP-NS



WPA-40-200	26.28	[667.4]
WPA-40-175	25.28	[642.0]

UNIT WEIGHT 28 LBS

DO NOT SCALE DRAWING

EXCEPT AS NOTED
 DECIMAL TOL. SHALL BE
 2 PLACE=.010
 3 PLACE=.005
 4 PLACE=.0005
 ALL DOWEL LOCATIONS ± .0005
 BETWEEN HOLES

WELKER BEARING COMPANY

TOOL NAME: WPA-40 SHOT PIN G-3 BODY
 DRAWN BY: DATE: 12/2001
 INP: DJH
 SHEET: 01 OF 01
 SCALE: HALF

FILE NAME: WPA40L04.DWG

Rev.	Date	Status	Description
2	9/13/2005	Released	END HOLE DELETED