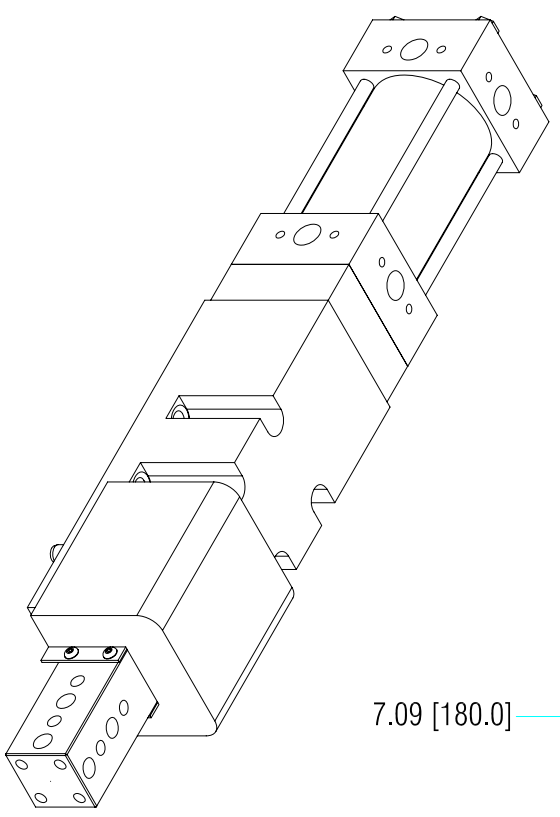
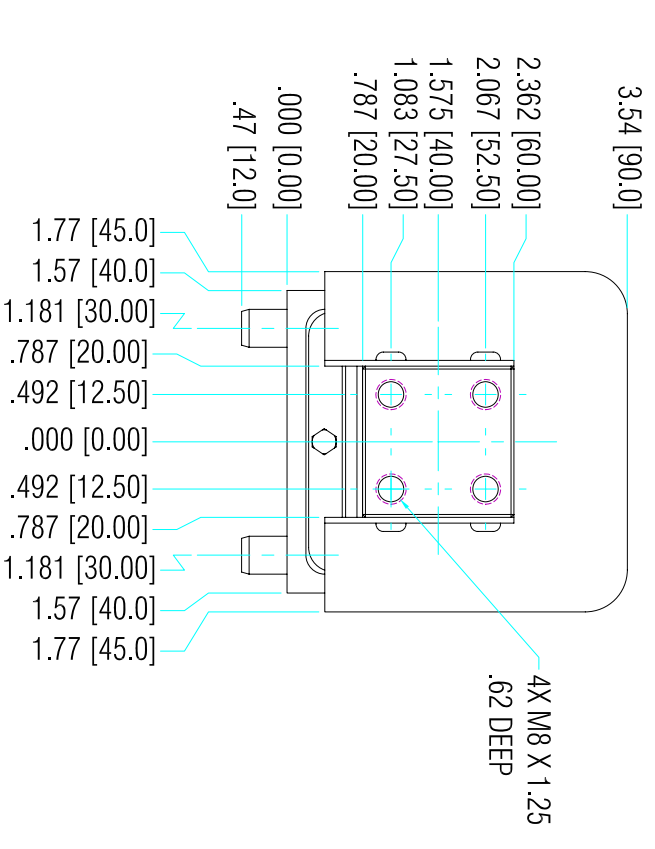
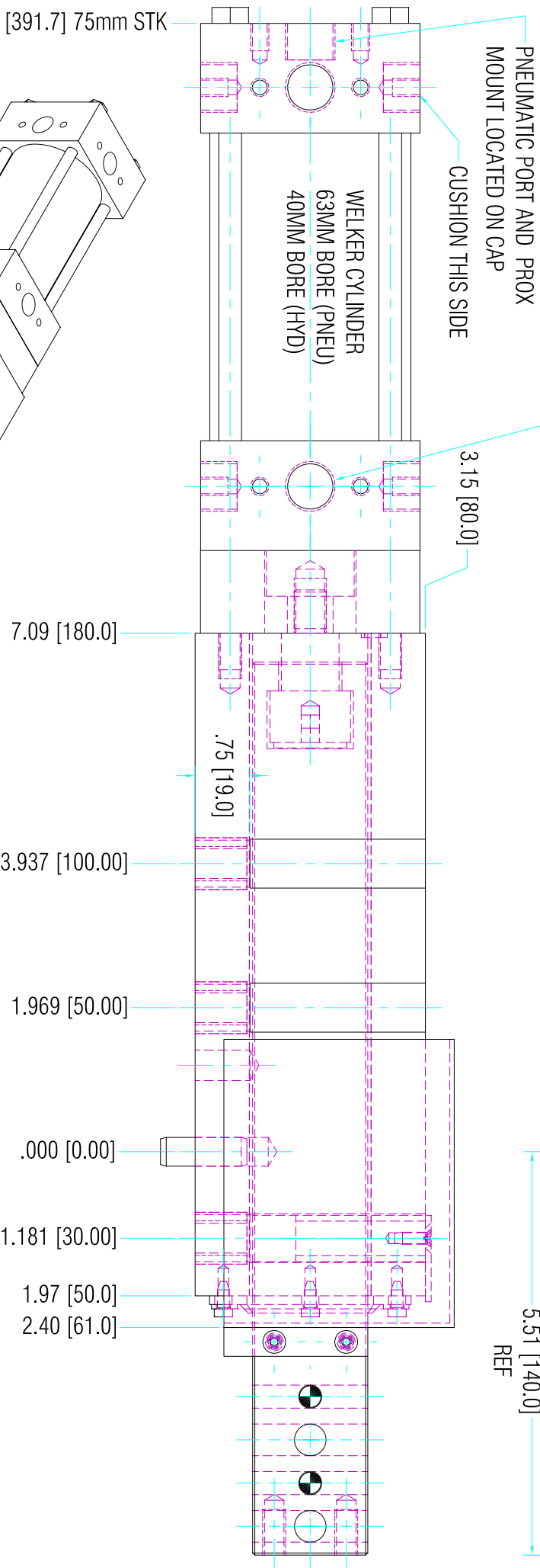


ORDERING INFORMATION:
 #WPA40-(STROKE)-(HYDRAULIC CYL OPTION)-(COUPLER)
 75mm \perp H
 RAP or RIGID

OPTIONS NOTES:
 1) CYL OPTION: WPA40 COMES STANDARD WITH WELKER 63mm BORE AIR CYLINDER, UNLESS HYDRAULIC OPTION, "-H", IS SPECIFIED. HYDRAULIC CYLINDER IS A WELKER 40mm BORE.
 2) COUPLER OPTION: RAP COUPLING CAUSES THE UNIT STROKE TO BE 2mm(.08") LESS THAN THE NOMINAL STROKE OF THE CYLINDER. UNLESS OTHERWISE SPECIFIED, THE PNEUMATIC CYLINDER COMES STANDARD WITH THE RAP COUPLING AND THE HYDRAULIC CYLINDER COMES STANDARD WITH THE RIGID COUPLING.
 3) UNITS COME STANDARD WITH A SHROUD AS SHOWN. TO ORDER THE UNIT WITHOUT A SHROUD, ADD SUFFIX "-NS" TO THE END OF THE PART NUMBER.

PART NUMBER EXAMPLES:
 TO ORDER UNIT AS SHOWN WITH 75mm STROKE & RIGID COUPLING, ORDER AS:
 #WPA40-75-RIGID
 TO ORDER UNIT AS SHOWN WITH A RAP COUPLING & NO SHROUD, ORDER AS:
 #WPA40-73-NS
 TO ORDER UNIT AS SHOWN WITH HYDRAULIC CYLINDER & RIGID COUPLER:
 #WPA40-75-H
 TO ORDER UNIT AS SHOWN WITH HYDRAULIC CYLINDER, RAP COUPLER AND NO SHROUD:
 #WPA40-73-H-RAP-NS



UNIT WEIGHT 23 LBS

DATE		9/12/2005	
STATUS		Released	
TEMPLATE			
DATE	DESIGNED BY	DATE	APPROVED
9/14/2001	DJH		
FILE NAME	WPA40L02.DWG		
SCALE	HALF		