

6X M12 X 1.75 TAP THRU
 Ø .669 [Ø17.0] C.BORE
 TO DEPTH SHOWN
 THRU FOR M10 OR 3/8 SHCS

2X Ø10mm DOWEL
 PROTRUDING 12mm
 FROM FAR SIDE

4X FOR 8mm DOWEL
 P.F. THRU

4X Ø11.0mm DRILL THRU

5.51 [140.0]
 REF

.591 [15.00]

1.1811 [30.000]

.984 [25.00]

.591 [15.00]

ORDERING INFORMATION:

#WPA40-({STROKE})-({HYDRAULIC CYL OPTION})-({COUPLER})
 25-50mm H
 RAP or RIGID

OPTIONS NOTES:

- 1) CYL OPTION: WPA40 COMES STANDARD WITH WELKER 63mm BORE AIR CYLINDER, UNLESS HYDRAULIC OPTION, "-H", IS SPECIFIED. HYDRAULIC CYLINDER IS A WELKER 40mm BORE.
- 2) COUPLER OPTION: RAP COUPLING CAUSES THE UNIT STROKE TO BE 2mm [.08"] LESS THAN THE NOMINAL STROKE OF THE CYLINDER. UNLESS OTHERWISE SPECIFIED, THE PNEUMATIC CYLINDER COMES STANDARD WITH THE RAP COUPLING AND THE HYDRAULIC CYLINDER COMES STANDARD WITH THE RIGID COUPLING.
- 3) UNITS COME STANDARD WITH A SHRroud AS SHOWN. TO ORDER THE UNIT WITHOUT A SHRroud, ADD SUFFIX "-NS" TO THE END OF THE PART NUMBER.

PART NUMBER EXAMPLES:

- TO ORDER UNIT AS SHOWN WITH 25mm STROKE & RIGID COUPLING, ORDER AS:
 #WPA40-25-RIGID
- TO ORDER UNIT AS SHOWN WITH A RAP COUPLING & NO SHRroud, ORDER AS:
 #WPA40-23-NS
- TO ORDER UNIT AS SHOWN WITH HYDRAULIC CYLINDER & RIGID COUPLER:
 #WPA40-25-H
- TO ORDER UNIT AS SHOWN WITH HYDRAULIC CYLINDER, RAP COUPLER AND NO SHRroud:
 #WPA40-23-H-RAP-NS

9X PORTS AND
 1.025 READ DEPTH PROX MOUNT
 3/8-18 NPTF (PNEUMATIC)
 #6 SAE (HYDRAULIC)

PNEUMATIC PORT AND PROX
 MOUNT LOCATED ON CAP

3.15 [80.0]

5.12 [130.0]

3.937 [100.00]

1.969 [50.00]

.000 [0.00]

1.181 [30.00]

1.97 [50.0]

2.40 [61.0]

4X M8 X 1.25 TAP ~.62 DEEP

CUSHION ADJUST
 THIS SIDE

3.54 [90.0]

2.362 [60.00]

2.067 [52.50]

1.575 [40.00]

1.083 [27.50]

.787 [20.00]

.39 [10.0]

.000 [0.00]

.47 [12.0]

1.77 [45.0]

1.57 [40.0]

1.181 [30.00]

.787 [20.00]

.492 [12.50]

.000 [0.00]

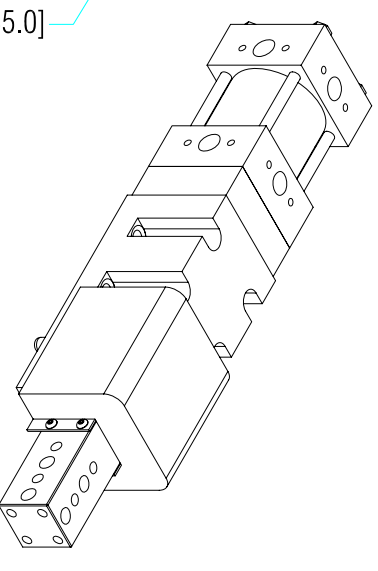
.492 [12.50]

.787 [20.00]

1.181 [30.00]

1.57 [40.0]

1.77 [45.0]



1.77 [45.0]

1.57 [40.0]

1.181 [30.00]

.787 [20.00]

.492 [12.50]

.000 [0.00]

.492 [12.50]

.787 [20.00]

1.181 [30.00]

1.57 [40.0]

1.77 [45.0]

WELKER BEARING COMPANY

WELKER BEARING COMPANY

UNIT WEIGHT 18 LBS.

WELKER BEARING COMPANY

50MM STROKE
 25MM STK SHN

316.7
 291.7

12.47
 11.48

DATE	1/6/2006	STATUS	Released
DATE	8/4/2001	DESIGN BY	DJH
DATE		APPROVAL	
SCALE	HALF	FILE NAME	WPA40L01.DWG

TEMPLATE

WELKER BEARING COMPANY