

ORDERING INFORMATION:

#WPA24-{STROKE}-{HYDRAULIC CYL OPTION}-{COUPLER}-{RAM POSITION}

25-50mm

H

RAP or RIGID

90

OPTIONS NOTES:

- 1) **CYL OPTION:** WPA24 COMES STANDARD WITH WELKER 40mm BORE AIR CYLINDER, UNLESS HYDRAULIC OPTION, "-H", IS SPECIFIED. HYDRAULIC CYLINDER IS A WELKER 40mm BORE.
- 2) **COUPLER OPTION:** RAP COUPLING CAUSES THE UNIT STROKE TO BE 2mm[.08"] LESS THAN THE NOMINAL STROKE OF THE CYLINDER. UNLESS OTHERWISE SPECIFIED, THE PNEUMATIC CYLINDER COMES STANDARD WITH THE RAP COUPLING AND THE HYDRAULIC CYLINDER COMES STANDARD WITH THE RIGID COUPLING.
- 3) **RAM POSITION:** UNLESS OTHERWISE SPECIFIED, THE RAM POSITION SHOWN IS STANDARD. FOR RAM POSITIONS ROTATED 90° FROM THE POSITION SHOWN, SPECIFY "-90".
- 4) UNITS COME STANDARD WITH A SHROUD AS SHOWN. TO ORDER THE UNIT WITHOUT A SHROUD, ADD SUFFIX "-NS" TO THE END OF THE PART NUMBER.

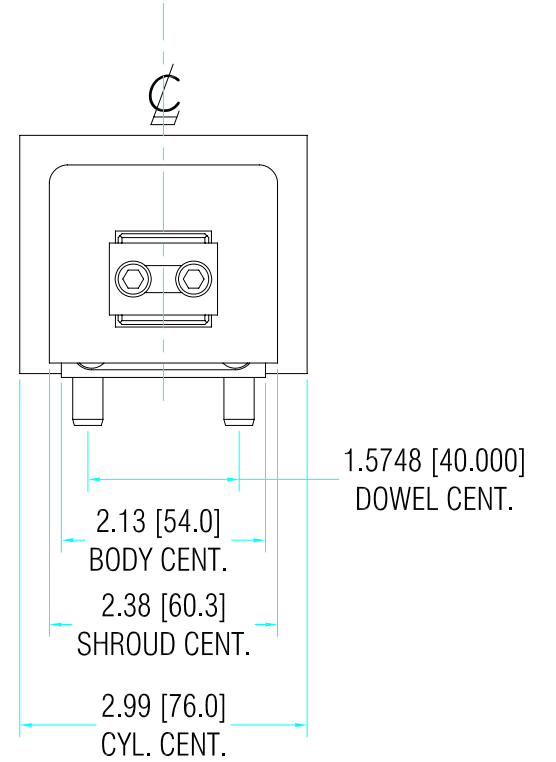
PART NUMBER EXAMPLES:

TO ORDER UNIT AS SHOWN WITH 25mm STROKE & RIGID COUPLING, ORDER AS: #WPA24-25-RIGID

TO ORDER UNIT AS SHOWN WITH A RAP COUPLING, RAM ROTATED & NO SHROUD, ORDER AS: #WPA24-23-90-NS

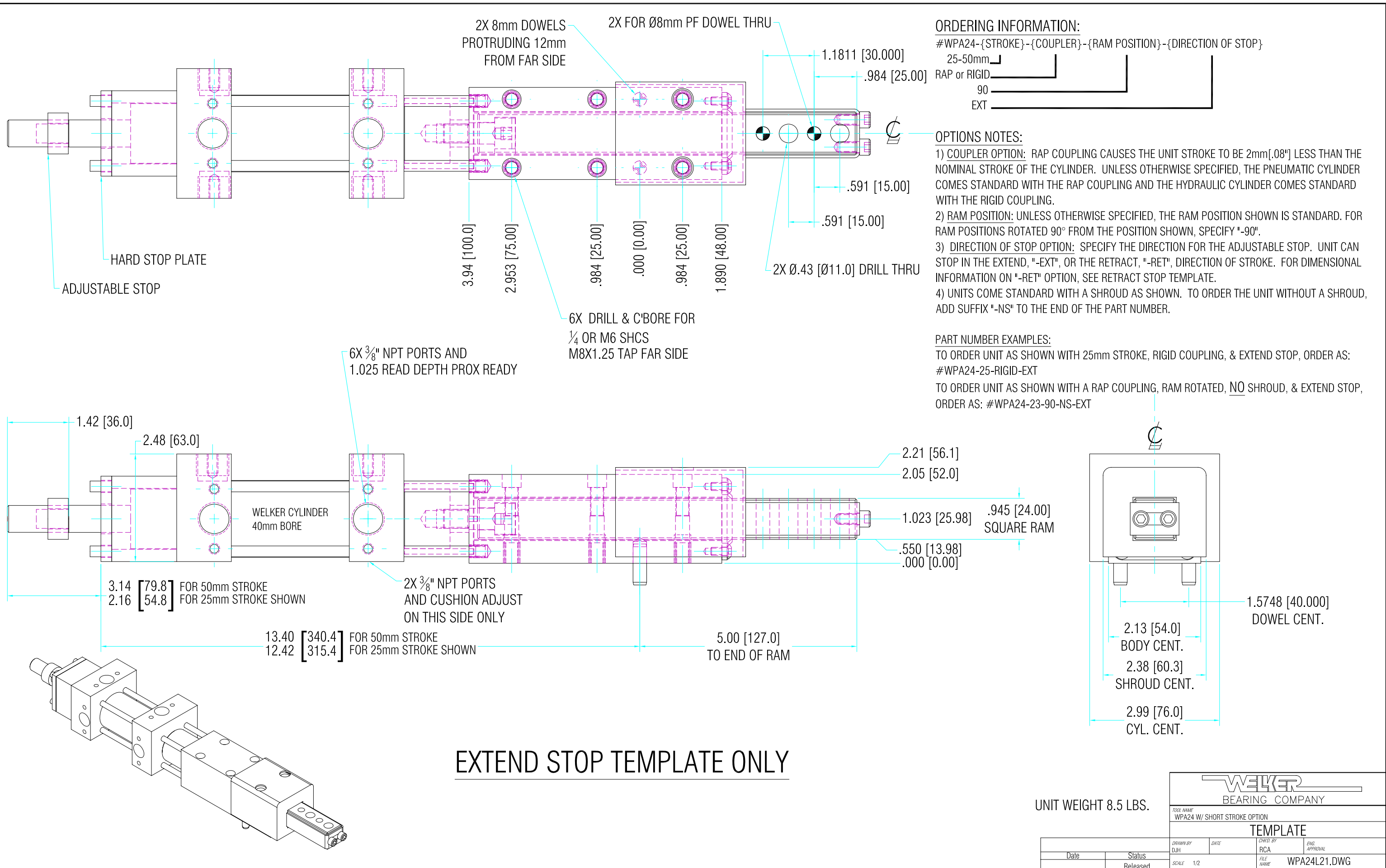
TO ORDER UNIT AS SHOWN WITH HYDRAULIC CYLINDER, RIGID COUPLER & RAM ROTATED: #WPA24-25-H-90

TO ORDER UNIT AS SHOWN WITH HYDRAULIC CYLINDER, RAP COUPLER AND NO SHROUD: #WPA24-H-23-RAP-NS



UNIT WEIGHT 8.5 LBS.

WELKER BEARING COMPANY			
TOOL NAME 24 SERIES SHOTPIN - 25/50mm STROKE			
TEMPLATE			
DRWN BY RCA	DATE 9/4/2001	CHKD BY DJH	ENG APPROVAL
Date 10/16/2002	Status Released	SCALE HALF	FILE NAME WPA24L01.DWG



ORDERING INFORMATION:

#WPA24-{STROKE}-{COUPLER}-{RAM POSITION}-{DIRECTION OF STOP}
 25-50mm
 RAP or RIGID
 90
 EXT

OPTIONS NOTES:

- 1) **COUPLER OPTION:** RAP COUPLING CAUSES THE UNIT STROKE TO BE 2mm[.08"] LESS THAN THE NOMINAL STROKE OF THE CYLINDER. UNLESS OTHERWISE SPECIFIED, THE PNEUMATIC CYLINDER COMES STANDARD WITH THE RAP COUPLING AND THE HYDRAULIC CYLINDER COMES STANDARD WITH THE RIGID COUPLING.
- 2) **RAM POSITION:** UNLESS OTHERWISE SPECIFIED, THE RAM POSITION SHOWN IS STANDARD. FOR RAM POSITIONS ROTATED 90° FROM THE POSITION SHOWN, SPECIFY "-90".
- 3) **DIRECTION OF STOP OPTION:** SPECIFY THE DIRECTION FOR THE ADJUSTABLE STOP. UNIT CAN STOP IN THE EXTEND, "-EXT", OR THE RETRACT, "-RET", DIRECTION OF STROKE. FOR DIMENSIONAL INFORMATION ON "-RET" OPTION, SEE RETRACT STOP TEMPLATE.
- 4) UNITS COME STANDARD WITH A SHROUD AS SHOWN. TO ORDER THE UNIT WITHOUT A SHROUD, ADD SUFFIX "-NS" TO THE END OF THE PART NUMBER.

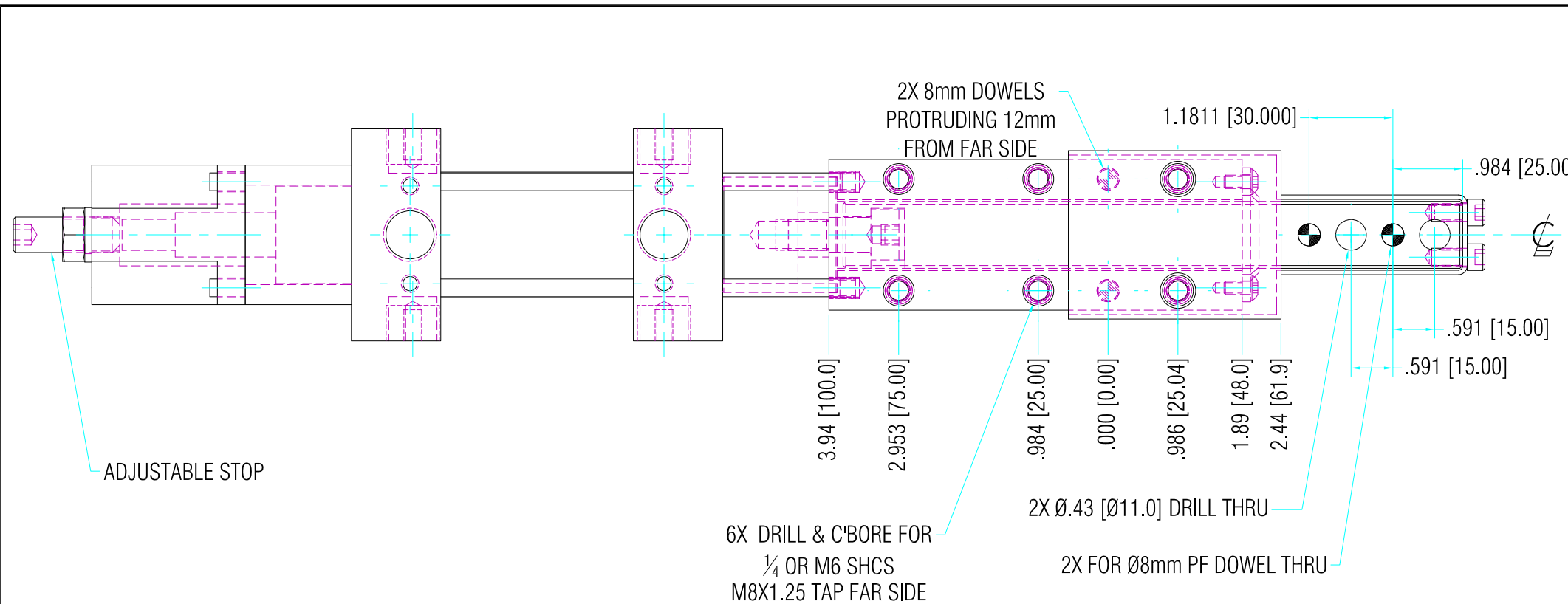
PART NUMBER EXAMPLES:

TO ORDER UNIT AS SHOWN WITH 25mm STROKE, RIGID COUPLING, & EXTEND STOP, ORDER AS:
 #WPA24-25-RIGID-EXT
 TO ORDER UNIT AS SHOWN WITH A RAP COUPLING, RAM ROTATED, NO SHROUD, & EXTEND STOP, ORDER AS: #WPA24-23-90-NS-EXT

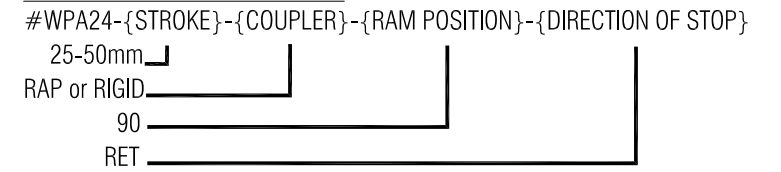
EXTEND STOP TEMPLATE ONLY

UNIT WEIGHT 8.5 LBS.

WELKER BEARING COMPANY			
TOOL NAME WPA24 W/ SHORT STROKE OPTION			
TEMPLATE			
DRWN BY DJH	DATE	CHKD BY RCA	ENG APPROVAL
Date	Status Released	SCALE 1/2	FILE NAME WPA24L21.DWG



ORDERING INFORMATION:



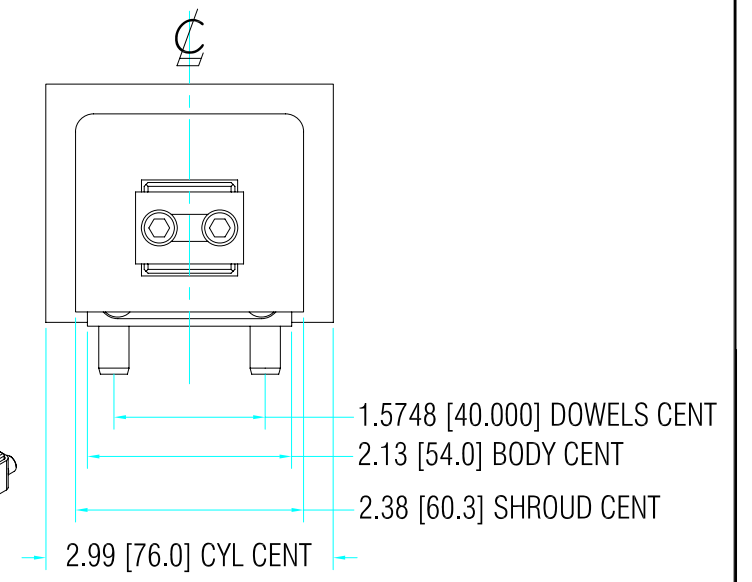
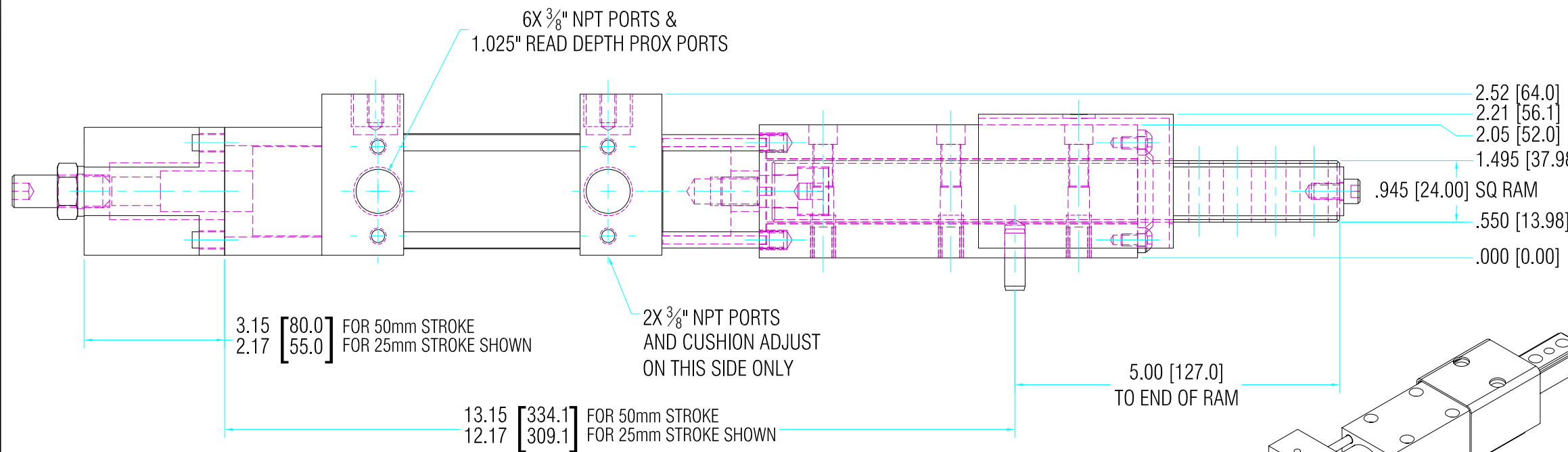
OPTIONS NOTES:

- 1) **COUPLER OPTION:** RAP COUPLING CAUSES THE UNIT STROKE TO BE 2mm[.08"] LESS THAN THE NOMINAL STROKE OF THE CYLINDER. UNLESS OTHERWISE SPECIFIED, THE PNEUMATIC CYLINDER COMES STANDARD WITH THE RAP COUPLING AND THE HYDRAULIC CYLINDER COMES STANDARD WITH THE RIGID COUPLING.
- 2) **RAM POSITION:** UNLESS OTHERWISE SPECIFIED, THE RAM POSITION SHOWN IS STANDARD. FOR RAM POSITIONS ROTATED 90° FROM THE POSITION SHOWN, SPECIFY "-90°".
- 3) **DIRECTION OF STOP OPTION:** SPECIFY THE DIRECTION FOR THE ADJUSTABLE STOP. UNIT CAN STOP IN THE EXTEND, "-EXT", OR THE RETRACT, "-RET", DIRECTION OF STROKE. FOR DIMENSIONAL INFORMATION ON "-EXT" OPTION, SEE EXTEND STOP TEMPLATE.
- 4) UNITS COME STANDARD WITH A SHROUD AS SHOWN. TO ORDER THE UNIT WITHOUT A SHROUD, ADD SUFFIX "-NS" TO THE END OF THE PART NUMBER.

PART NUMBER EXAMPLES:

TO ORDER UNIT AS SHOWN WITH 25mm STROKE, RIGID COUPLING, & RETRACT STOP, ORDER AS: #WPA24-25-RIGID-RET

TO ORDER UNIT AS SHOWN WITH A RAP COUPLING, RAM ROTATED, NO SHROUD, & RETRACT STOP, ORDER AS: #WPA24-23-90-NS-RET



RETRACT STOP TEMPLATE ONLY

UNIT WEIGHT 8.5 LBS.

WEKER BEARING COMPANY			
TOOL NAME WPA24 W/ SHORT STROKE OPTION			
TEMPLATE			
DATE	STATUS	DRAWN BY DJH	DATE
	Released	CHKD BY RCA	ENG APPROVAL
SCALE 1/2		FILE NAME WPA24L21.DWG	