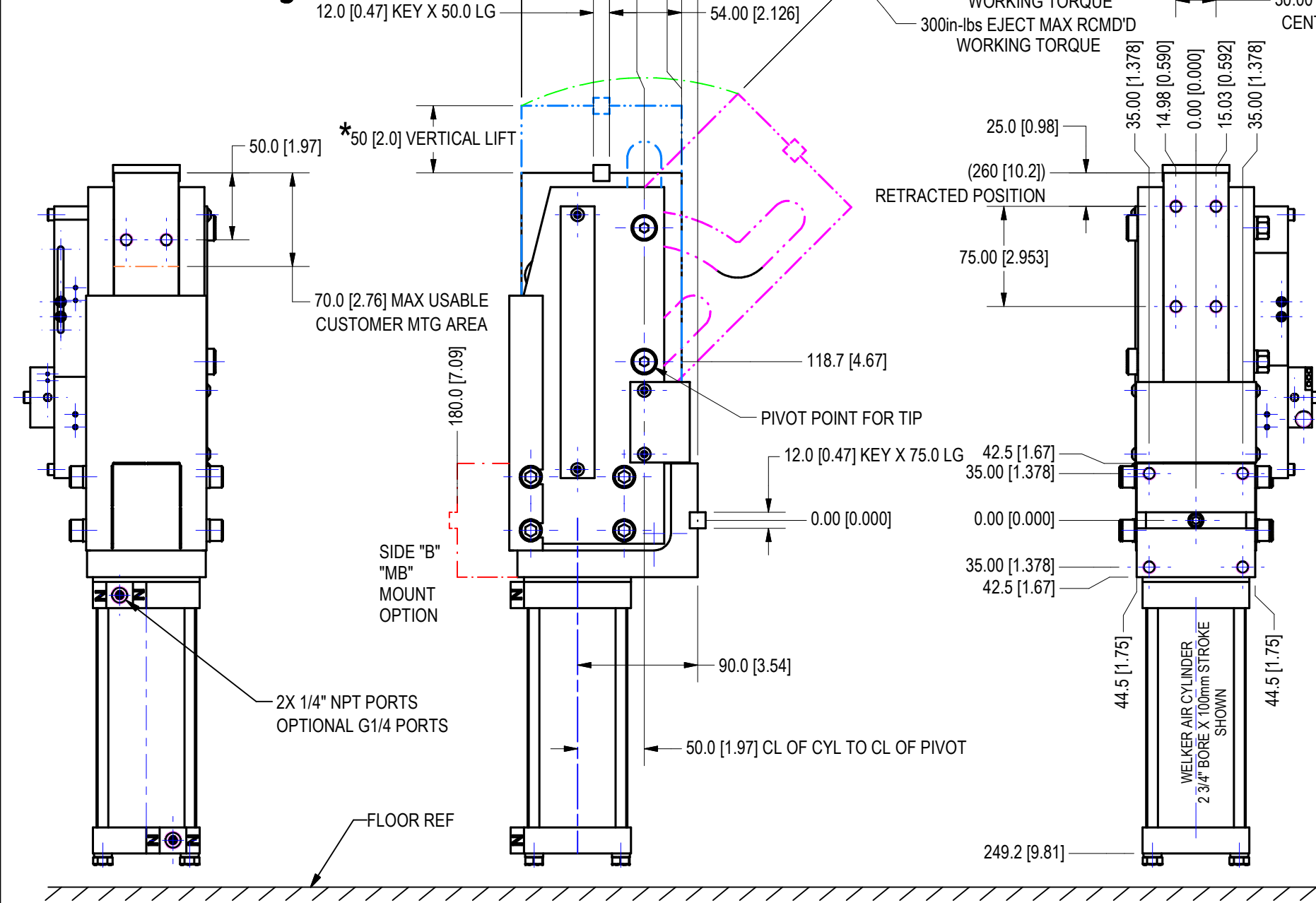
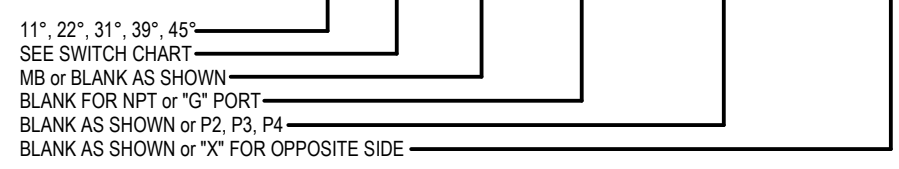


* 11.8 [.46"] PRIOR TO THE END OF VERTICAL LIFT, PLATE BEGINS TIPPING MOTION.



ORDERING INFORMATION: #UPE-{TIP}-{SWITCH}-{MOUNT}-{PORT TYPE}-{PORT LOCATION}-{SWITCH LOCATION}



- OPTIONS:**
- 1) TIP OPTION: UNIT CAN BE ORDERED WITH VARIOUS DEGREES OF TIP.
 - 2) SWITCH OPTION: WORLD SWITCH IS AVAILABLE FOR FULL EXTEND & RETRACT POSITIONS. THE EXTEND SWITCH IS ADJUSTABLE FOR THE VARIOUS TIP ANGLES. SEE SWITCH CHART FOR SWITCH OPTION. THE SECOND LETTER OF THIS OPTION DICTATES THE PREFERRED LOCATION FOR THE "S01" & "S02" SWITCH SENSORS.
 - 3) MOUNT OPTION: TO HAVE THE BASE MOUNT LOCATED TO SIDE "B" OF THE EJECTOR ASSEMBLY, ADD "MB" TO PART NUMBER.
 - 4) PORT TYPE: UNIT CAN BE ORDERED WITH STANDARD NPT PORTS OR OPTIONAL G PORTS.

PART NUMBER EXAMPLES:

TO ORDER BASE UNIT WITH 45° TIP, NO SWITCH, MOUNT AS SHOWN, & NPT PORTS IN POSITION SHOWN, ORDER AS:
#UPE-45

TO ORDER BASE UNIT WITH 11° TIP, ALLEN BRADLEY AC SWITCH ON OPPOSITE SIDE, MOUNT ON OPPOSITE SIDE "B", & G PORTS AT POS. P2, ORDER AS:
#UPE-11-GR-MB-G-P2-X

LOADING CAPACITY: (ONLY USE VERTICALLY AS SHOWN)
THIS EJECTOR UNIT AT 60psi HAS A VERTICAL LIFTING CAPACITY OF 350lbs WITH AN EJECT MAX RECOMMENDED WORKING TORQUE OF 300in-lbs WHILE THE RETRACT MAX RECOMMENDED WORKING TORQUE IS 225in-lbs. BOTH TORQUES ARE RELATIVE TO THE PIVOT POINT. THE LIFT FORCE AND TORQUES ARE DIRECTLY PROPORTIONAL TO THE AIR PRESSURE.

Switch Options

Switch Option	S01 Sensor Position - "E"xtended Pos. "R"etracted Pos.	Manufacturer's Part Number	Manufacturer	Description
0	0	NONE		
A	E or R	Ni2-Q6.5-AP6-0.1-FS 4.4X3/S304	Turck	3-Wire, 4-Pin, DC M12 X 1 (PNP) Quick Disconnect
B	E or R	Ni2-Q6.5-ADZ32-0.1-FSB 5.4X4/S304	Turck	4-Wire, 5-Pin, AC/DC 1/2-20 (N.O.) Quick Disconnect
C	E or R	Ni2-Q6.5-AN6-0.1-FS 4.4X3/S304	Turck	3-Wire, 4-Pin, DC M12 X 1 (NPN) Quick Disconnect
D	E or R	NBN2-F581-100S6-E8-V1	Pepperl & Fuchs	3-Wire, 4-Pin, DC M12 X 1 (PNP) Quick Disconnect
E	E or R	BES-Z02KR2-PSC20F-P100-S04-V	Balluff	3-Wire, 4-Pin, DC M12 X 1 (PNP) Quick Disconnect
F	E or R	871D-MW2GP100A-D4	Allen Bradley	4-Wire, 4-Pin, DC M12 X 1 (PNP) Quick Disconnect
G	E or R	871D-JW2G100A-R5	Allen Bradley	5-Wire, 5-Pin, AC/DC 1/2-20 (N.O.) Connector
H	E or R	Ni2-Q6.5-0.1M-BDS-2AP6X3-H1141/S34	Turck	3-Wire, 4-Pin, DC M12 X 1 (PNP) Quick Disconnect
J	E or R	IN5374	Efector	4-Wire, 4-Pin, DC M12 X 1 (PNP) Quick Disconnect

Ordering Example: For Allen Bradley DC world switch with the S01 in the extended position and the S02 sensor in the retracted position; Order switch option "FE"

UNIT WEIGHT = APPROX. 51.5 lbs.

UNITS ARE MILLIMETERS
(i.e.X.XXmm [x.xxx"])
DO NOT SCALE DRAWING

WELKER BEARING COMPANY					
TOOL NAME: PART EJECTOR ASSEMBLY					
TEMPLATE					
DATE	STATUS	DRAWN BY	DATE	CHK'D BY	ENG APPROVAL
11/27/2006	Released	DJH	11/27/2006	JMP	
SCALE		FILE NAME		UPE45L01	