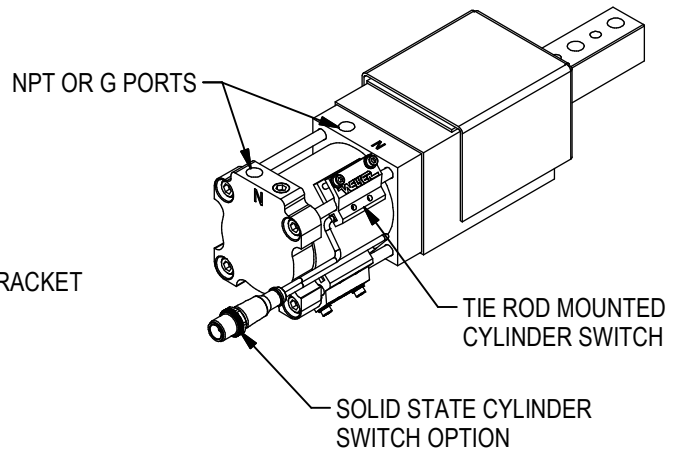


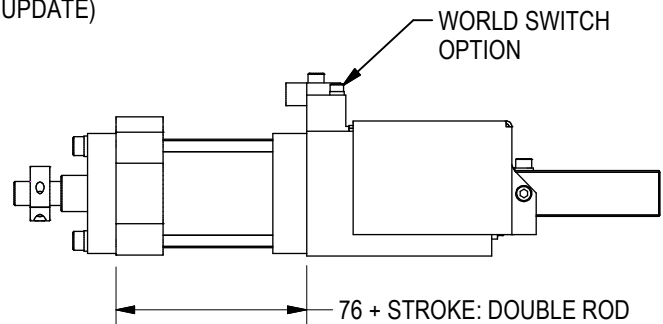
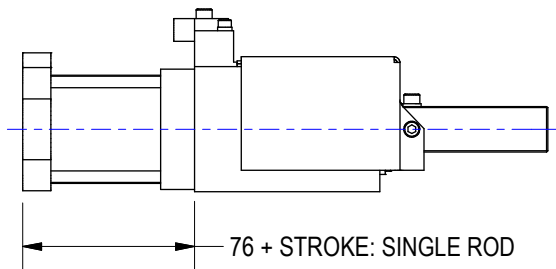
# UB2 SHOT PIN CYLINDER UPDATE

## NEW TUBE & TIE ROD CYLINDER:

- EXTEND PORT IS LOCATED ON REAR END CAP
- RETRACT PORT IS ON FRONT END CAP
- SWITCH SENSORS MOUNTED TO TIE RODS WITH BRACKET



TIE ROD CYLINDER IS DIMENSIONALLY THE SAME AS EXTRUSION CYLINDER:  
(WORLD SWITCH OPTION IS UNAFFECTED BY CYLINDER UPDATE)



## LEGACY EXTRUSION CYLINDER:

- EXTEND/RETRACT PORTS LOCATED ON REAR END CAP
- SWITCH SENSORS MOUNTED IN EXTRUSION SLOTS

