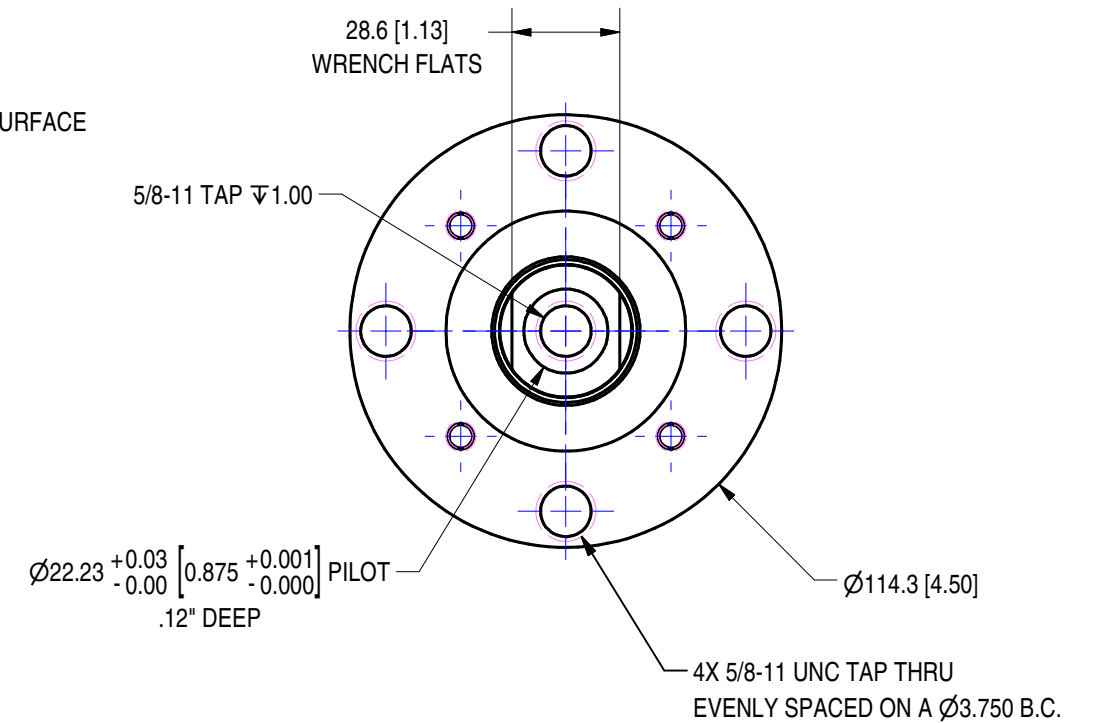
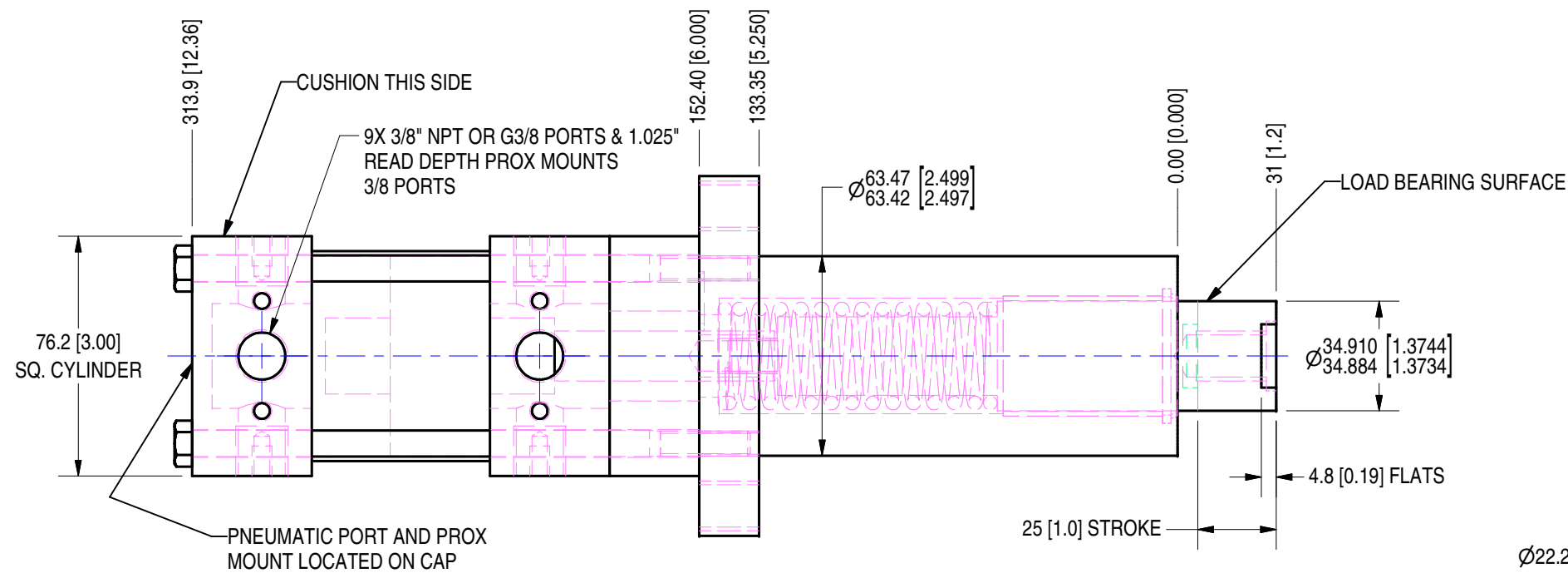


ORDERING INFORMATION:
#SRP-1-{CYLINDER OPTIONS}

<BLANK> or G

NOTES:

- 1) CYL INFO: SRP-1 COMES STANDARD WITH WELKER 63mm BORE AIR CYLINDER.
- 2) CYLINDER OPTIONS: LEAVE BLANK TO ORDER A STANDARD WELKER CYLINDER WITH NPT PORTS. USE "G" FOR A WELKER CYLINDER WITH G (BSP) PORTS.
- 3) THIS UNIT IS ONLY AVAILABLE IN A 25mm [1"] RETRACT STROKE WITH A SPRING EXTEND.
- 4) LOCKOUT PIN IS SHOWN IN THE SPRING EXTENDED POSITION.
- 5) 5/8-11 TAP IN END OF RAM IS TO BE USED FOR MOUNTING NOSE DETAILS. DO NOT USE THE ADDED NOSE TO CARRY A LOAD. ALL LOCKOUT LOADS ARE TO BE CARRIED DIRECTLY BY THE RAM.



UNIT WEIGHT: 16 LBS.

UNITS ARE MILLIMETERS
(i.e.X.XXmm [x.xxx"])
DO NOT SCALE DRAWING

WELKER BEARING COMPANY					
TOOL NAME 1" STROKE LOCKOUT PIN ASSEMBLY (SPRING EXTEND)					
TEMPLATE					
DATE	STATUS	DRAWN BY	DATE	CHK'D BY	ENG APPROVAL
9/15/2006	Released	GSK	9/4/2001	RCA	
SCALE		1:2		FILE NAME	SRP01L01