

ORDERING INFORMATION

RS 4 N 0 2 5 A 0 1 0 A 0 0 0 A 0 0 0

Series
RS4N

Stroke
025 25mm or 50mm Stroke

Coupler
A Rap (shortens nominal cyl stroke by 2mm)
B Rigid (Req'd for electric actuator option "10")

Actuator
30 See Actuator Chart Below

Optional NAAMS Pin Size Code
00 No Pin
10 See "RS4 Pins.xls"

Optional NAAMS Pin Style Code
0 No Pin
A See "RS4 Pins.xls"

Port/Elec Conn Position
A P1 Position (Shown)
B P2 Position
C P3 Position
D P4 Position

Switch
00 See Switch Chart

Switch Options

Order Number SO1 EXTEND or SO1 RETRACT	Part Number	Manufacturer	Description
00	NONE		
AE or AR	Ni2-Q6.5-AP6-0.1-FS 4.4X3/S304	Turck	3-Wire, 4-Pin, DC M12 X 1 (PNP) Quick Disconnect
BE or BR	Ni2-Q6.5-ADZ32-0.1-FSB 5.4X4/S304	Turck	4-Wire, 5-Pin, AC/DC 1/2-20 (N.O.) Quick Disconnect
CE or CR	Ni2-Q6.5-AN6-0.1-FS 4.4X3/S304	Turck	3-Wire, 4-Pin, DC M12 X 1 (NPN) Quick Disconnect
DE or DR	NBN2-F581-100S6-E8-V1	Pepperl & Fuchs	3-Wire, 4-Pin, DC M12 X 1 (PNP) Quick Disconnect
EE or ER	Z02KR2-PSC20F-P100-S04-V	Balluff	3-Wire, 4-Pin, DC M12 X 1 (PNP) Quick Disconnect
FE or FR	871D-MW2GP100A-D4	Allen Bradley	4-Wire, 4-Pin, DC M12 X 1 (PNP) Quick Disconnect
HE or HR	Ni2-Q6.5-0.1M-BDS-2AP6X3-H1141/S34	Turck	3-Wire, 4-Pin, DC M12 X 1 (PNP) Quick Disconnect
JE or JR	IN5374	Efector	4-Wire, 4-Pin, DC M12 X 1 (PNP) Quick Disconnect

World Switches

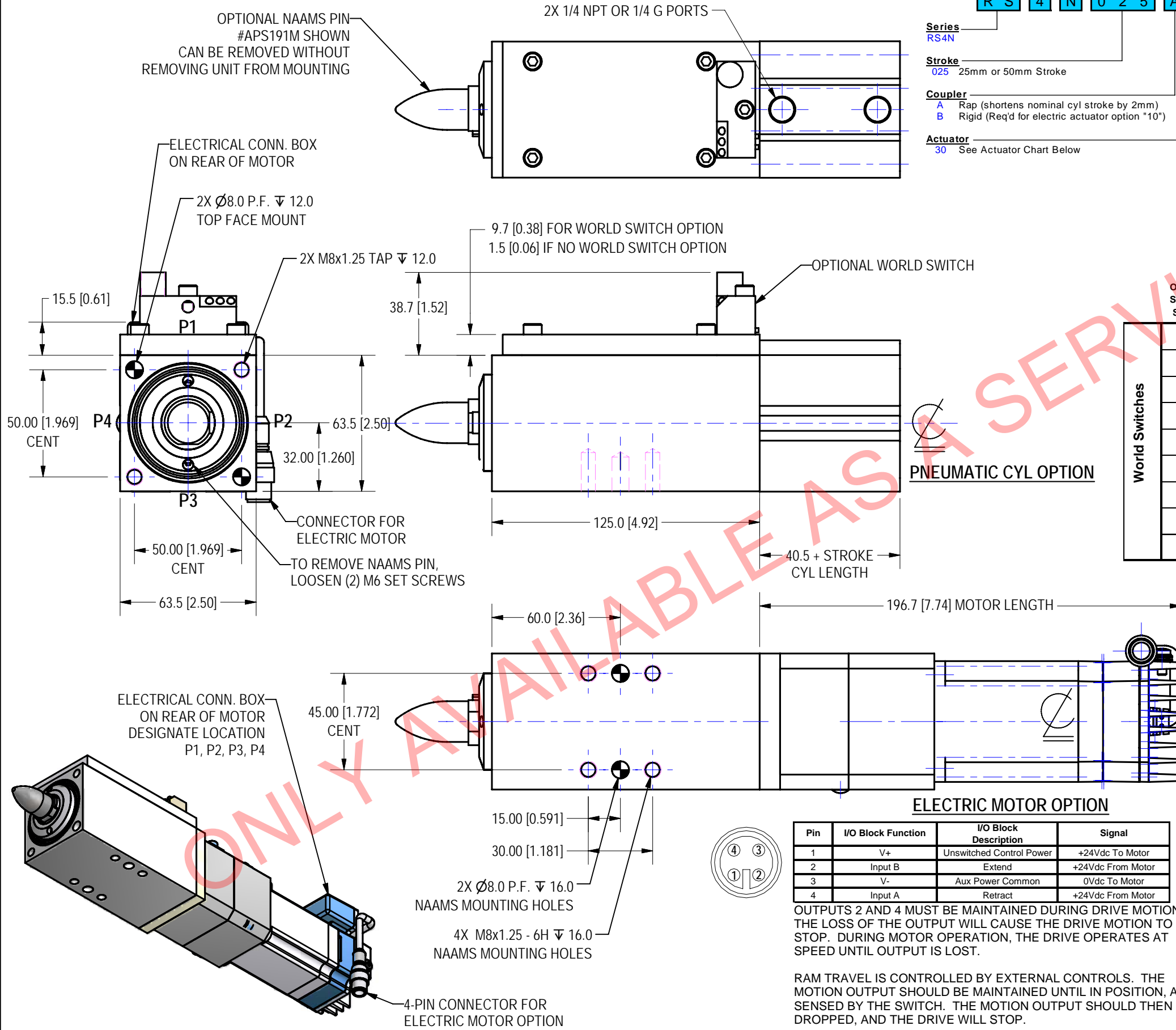
OPTIONS NOTES:

NAAMS PIN OPTION: INSTALLED NAAMS PIN IS AN OPTION. ONLY NAAMS PINS WITH Ø16.00 X 28.0 LONG PILOT & M10 TAP CAN BE USED. SEE PIN CHART "RS4 PINS.XLS" FOR ORDERING INFO.

ACTUATOR CHART:

30 - WELKER COMPACT CYL W/ NPT PORTS
31 - WELKER COMPACT CYL W/ G PORTS
10 - PARKER DC STEPPER MOTOR; #CP-IE233-2-13470

CYLINDER SWITCHES FOR ACTUATORS #30 & 31, CONTACT WELKER.



Pin	I/O Block Function	I/O Block Description	Signal
1	V+	Unswitched Control Power	+24Vdc To Motor
2	Input B	Extend	+24Vdc From Motor
3	V-	Aux Power Common	0Vdc To Motor
4	Input A	Retract	+24Vdc From Motor

OUTPUTS 2 AND 4 MUST BE MAINTAINED DURING DRIVE MOTION. THE LOSS OF THE OUTPUT WILL CAUSE THE DRIVE MOTION TO STOP. DURING MOTOR OPERATION, THE DRIVE OPERATES AT SPEED UNTIL OUTPUT IS LOST.

RAM TRAVEL IS CONTROLLED BY EXTERNAL CONTROLS. THE MOTION OUTPUT SHOULD BE MAINTAINED UNTIL IN POSITION, AS SENSED BY THE SWITCH. THE MOTION OUTPUT SHOULD THEN BE DROPPED, AND THE DRIVE WILL STOP.

UNITS ARE MILLIMETERS
(i.e. X.XXmm [x.xxx"])
DO NOT SCALE DRAWING

WELKER BEARING COMPANY					
TOOL NAME COMPACT SHOTPIN					
TEMPLATE					
DATE 2/8/2007	STATUS Released	DRAWN BY DJH	DATE 2/8/2007	CHK'D BY JMP	ENG APPROVAL
SCALE FULL	FILE NAME RS4L01				