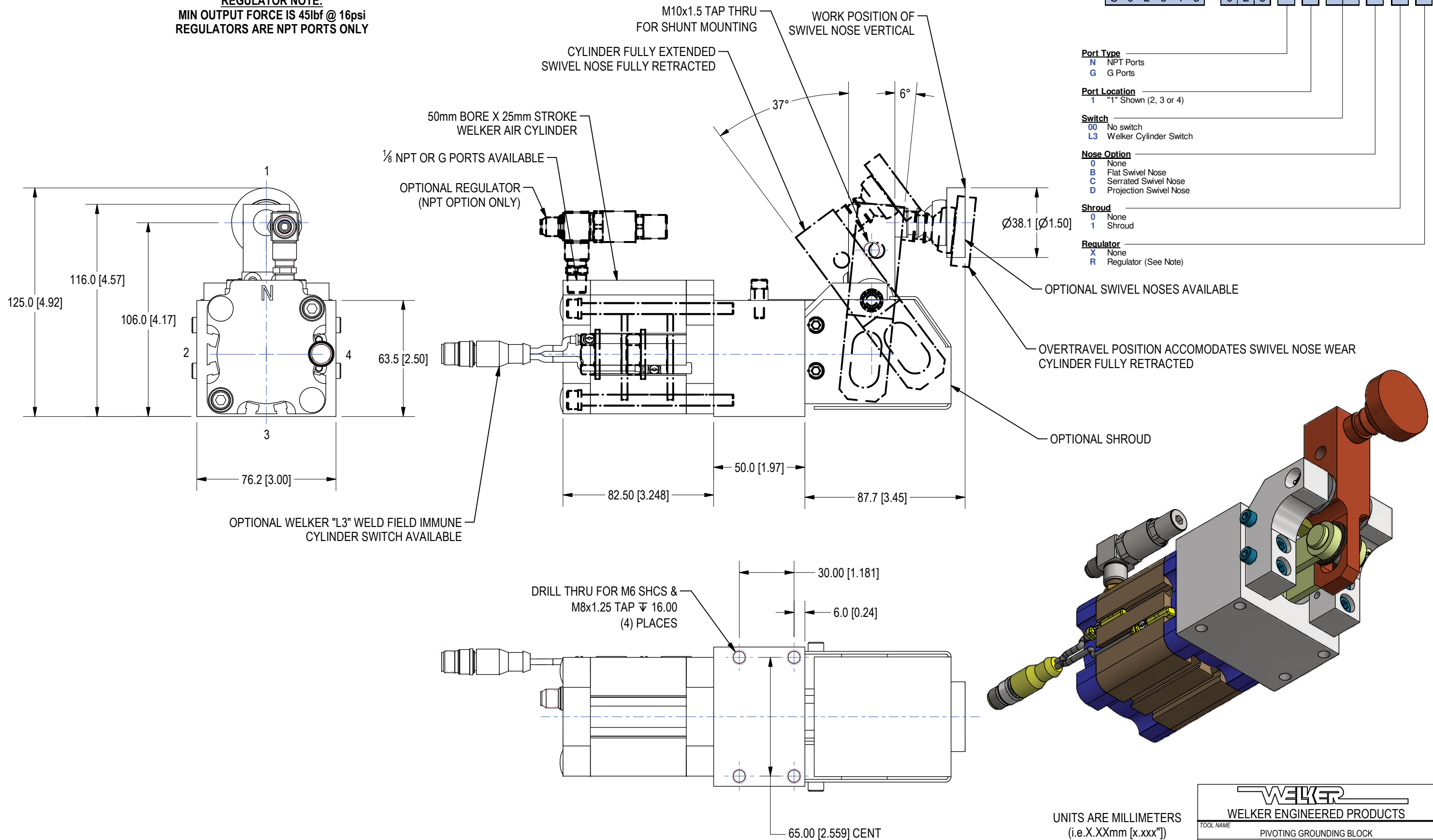


**ORDERING INFORMATION**

S 0 2 6 4 5 - 0 2 5

**REGULATOR NOTE:**  
MIN OUTPUT FORCE IS 45lbf @ 16psi  
REGULATORS ARE NPT PORTS ONLY



- Port Type**
- N NPT Ports
  - G G Ports
- Port Location**
- 1 "1" Shown (2, 3 or 4)
- Switch**
- 00 No switch
  - L3 Welker Cylinder Switch
- Nose Option**
- 0 None
  - B Flat Swivel Nose
  - C Serrated Swivel Nose
  - D Projection Swivel Nose
- Shroud**
- 0 None
  - 1 Shroud
- Regulator**
- X None
  - R Regulator (See Note)

OPTIONAL SWIVEL NOSES AVAILABLE

OVERTRAVEL POSITION ACCOMODATES SWIVEL NOSE WEAR CYLINDER FULLY RETRACTED

OPTIONAL SHROUD

DRILL THRU FOR M6 SHCS & M8x1.25 TAP  $\nabla$  16.00 (4) PLACES

UNITS ARE MILLIMETERS  
(i.e.X.XXmm [x.xxx"])  
DO NOT SCALE DRAWING

|                                    |          |           |            |           |              |
|------------------------------------|----------|-----------|------------|-----------|--------------|
| <b>WELKER</b>                      |          |           |            |           |              |
| WELKER ENGINEERED PRODUCTS         |          |           |            |           |              |
| TOOL NAME PIVOTING GROUNDING BLOCK |          |           |            |           |              |
| TEMPLATE                           |          |           |            |           |              |
| DATE                               | STATUS   | DRAWN BY  | DATE       | CHK'D BY  | ENG APPROVAL |
| 3/25/2019                          | Released | DJH       | 10/12/2017 | AMD       |              |
| SCALE 1/2                          |          | FILE NAME |            | S02645L01 |              |