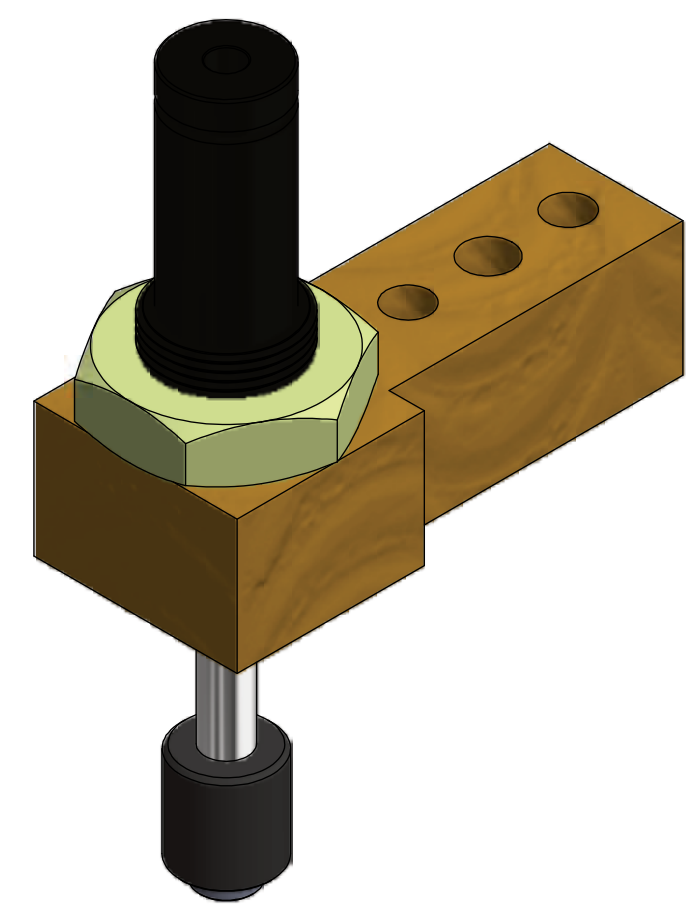
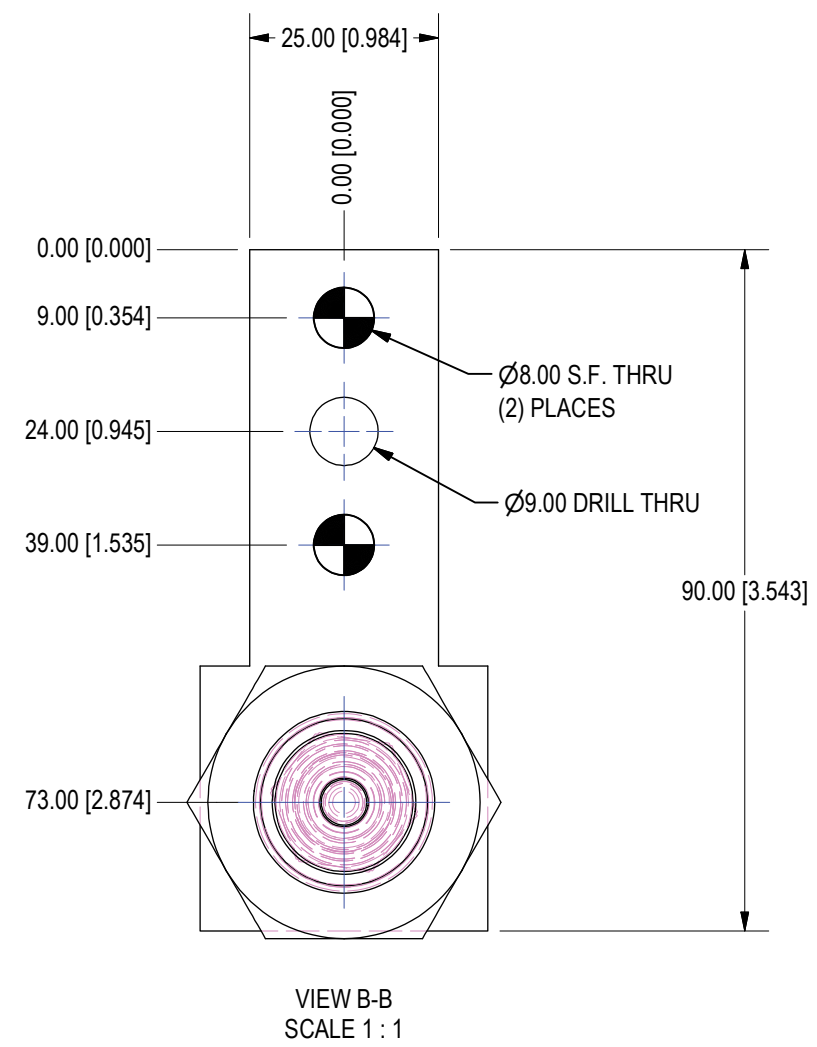
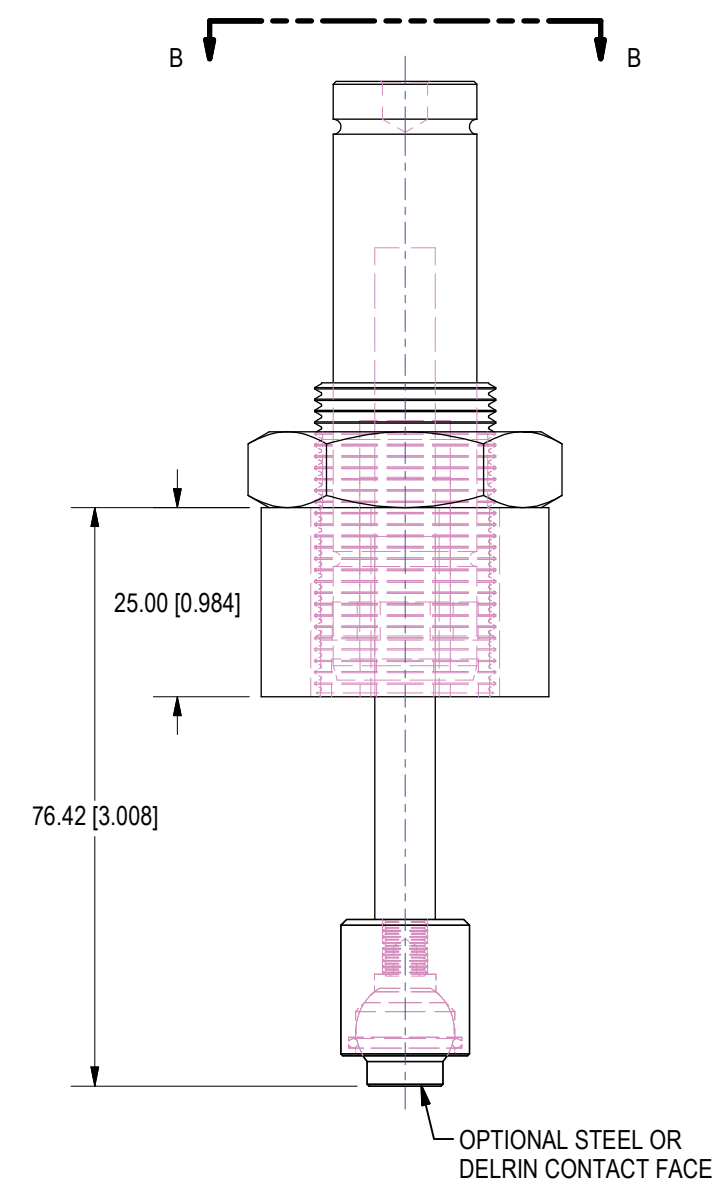


S02431 -

MOUNT
0 = NO MOUNT BLOCK
N = NARROW

CONTACT TIP
D = DELRIN TIP
S = STEEL TIP



NARROW MOUNT

APPROVAL

APPROVED:

AS NOTED:

BY: _____

DATE: _____

UNITS ARE MILLIMETERS
 (i.e.X.XXmm [x.xxx"])
 DO NOT SCALE DRAWING

WEKER BEARING COMPANY					
TOOL NAME COMPLIANT CLAMP FINGER					
TEMPLATE					
DRAWN BY WCM	DATE 10/17/2016	CHK'D BY AMD	ENG APPROVAL		
DATE 10/17/2016	STATUS Released	SCALE FULL	FILE NAME	S02431L01	