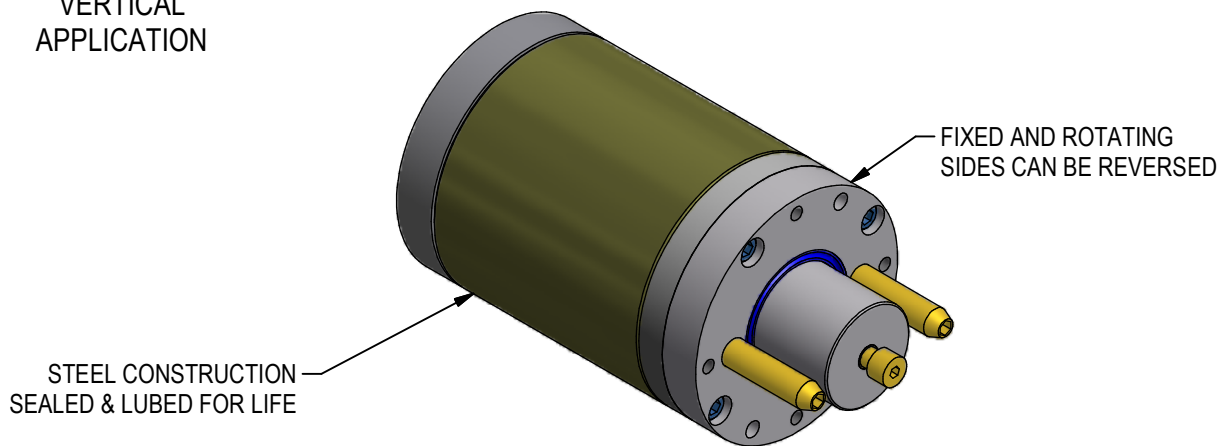


ROTA-FLEX ROTARY INDEXER

SELF-LOCATING 30° INDEX

HORIZONTAL OR
VERTICAL
APPLICATION



Rota-Flex is a positive locking mechanical indexer ideal for manual trunnions, dial tables and flexible assembly pallet change over.

*Provides low cost, secure, repeatable positioning in 30° increments.
Consult factory for other increment options.*

Spring loaded, self-locking mechanism provides positioning with minimal backlash.

Actuation options include: robot, manual tool, pneumatic foot pedal or hand button.

Tested for longevity and repeatability for 4.5 million indexes.

ORDERING INFORMATION

ROTA-FLEX

ORDER AS:

R F 3

ROTA-FLEX MANUAL TOOL OPTION

ORDER AS:

R F 3 M

ROTA-FLEX ROBOT OPTION

ORDER AS:

R F 3 R 1 0 0 X 0 1 0

Series

RF3R

Spacer Length

100 100mm Standard Length
(Custom lengths available)

Flange Style

01 Standard Flange

Switch

0 None
S Switch

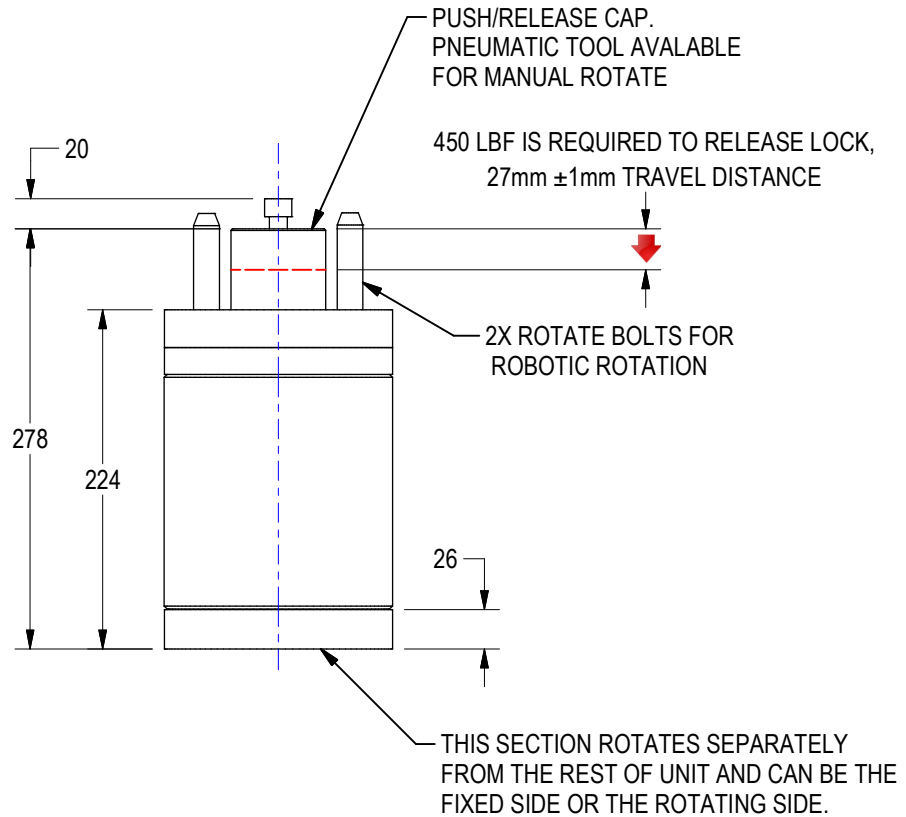
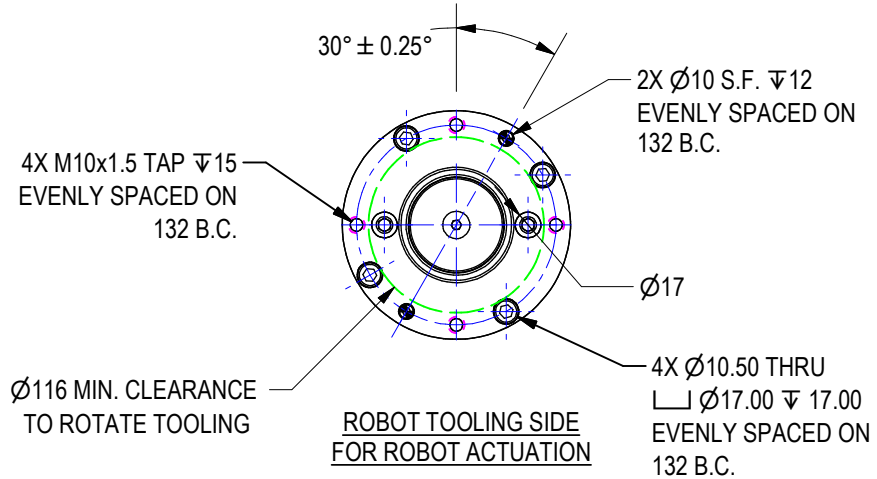
(DO NOT SCALE DRAWING)

WELKER

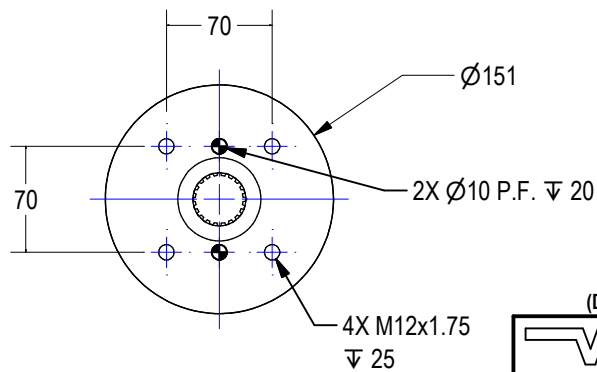
ENGINEERED PRODUCTS

800-229-0890 www.welkerproducts.com

GENERAL DIMENSIONS



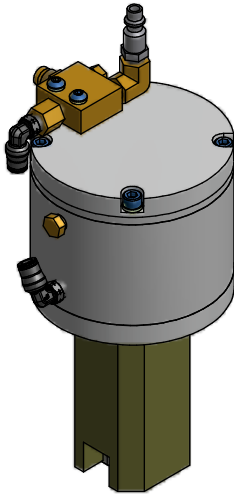
UNIT WEIGHT: 70 LBS.



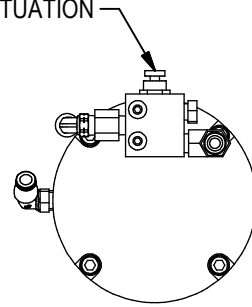
WELKER ROTA-FLEX
WEB PAGE

(DO NOT SCALE DRAWING)

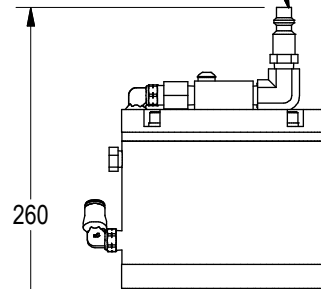
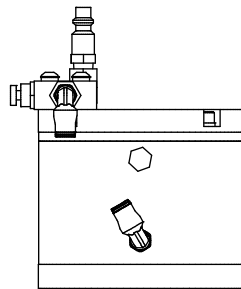
MANUAL TOOL OPTION "M"



PUSH BUTTON FOR ACTUATION



STD 1/4" PNEUMATIC QUICK DISCONNECT



COUPLER RECEIVER POCKET

52

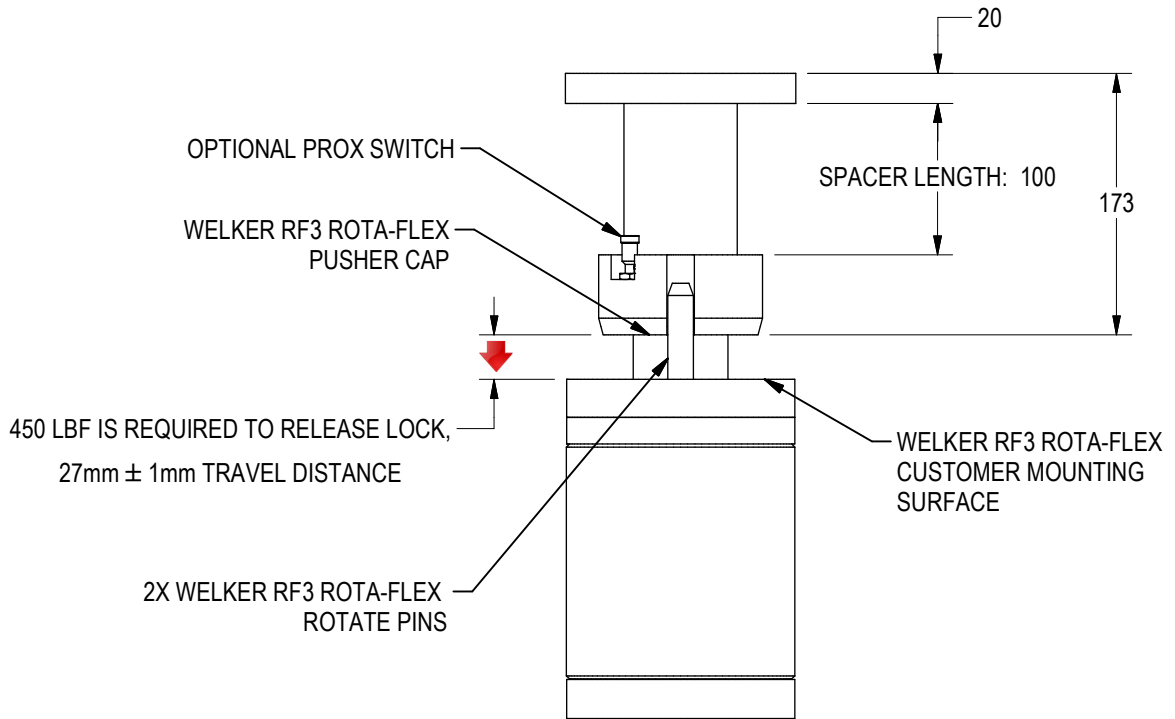
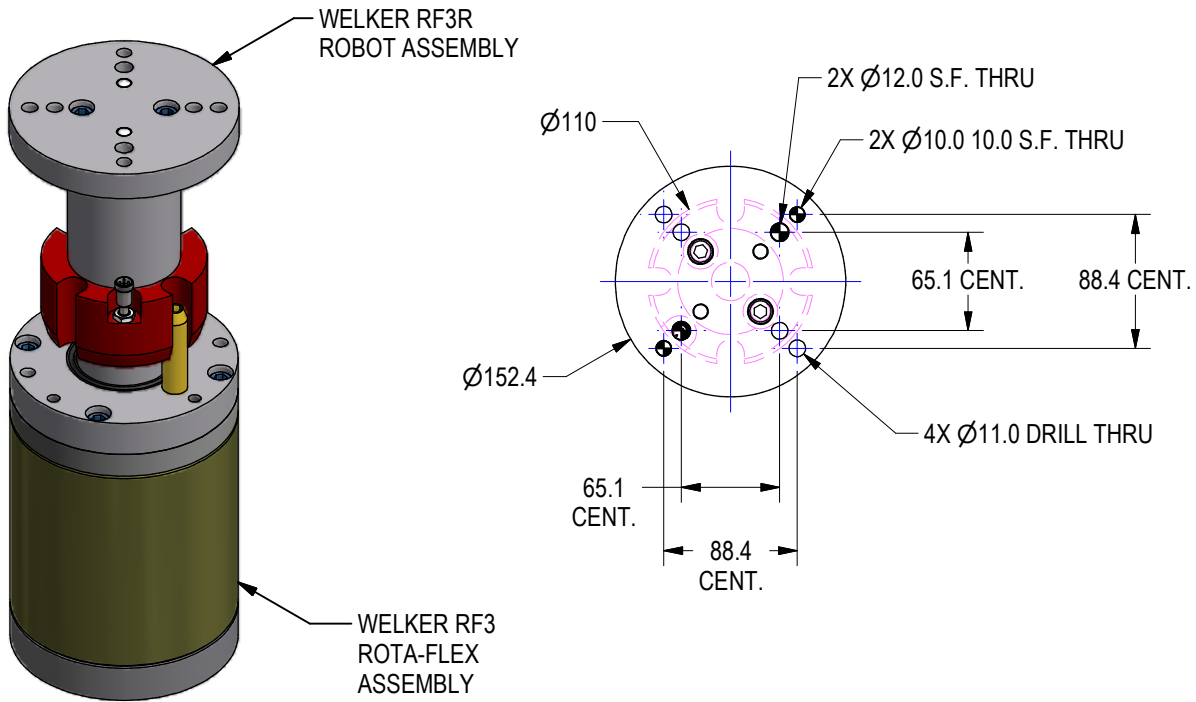
260

54

(DO NOT SCALE DRAWING)



FLANGE ASSEMBLY OPTION "R"

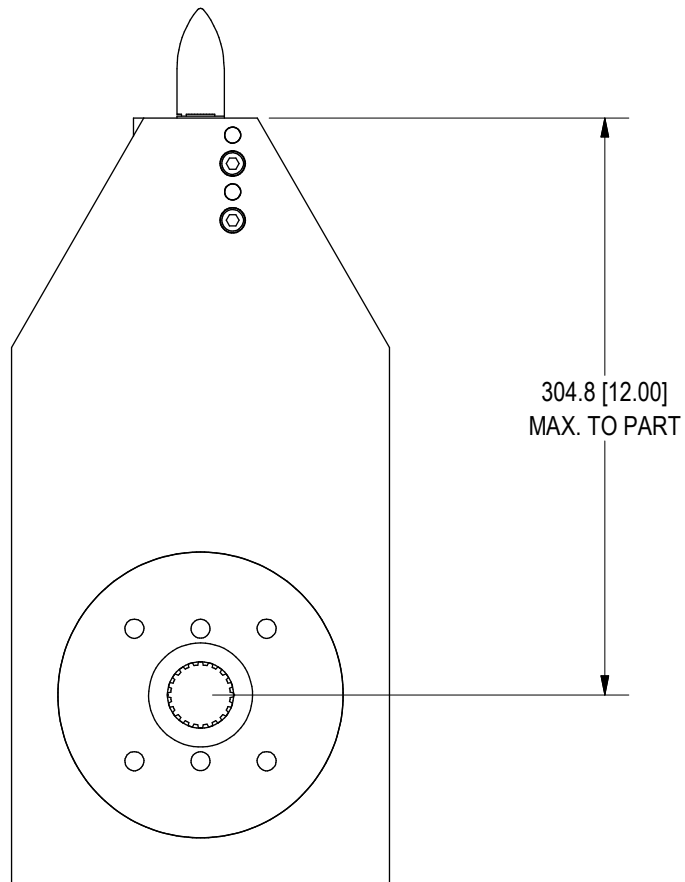


FLANGE STYLE SHOWN FITS, BUT IS NOT EXCLUSIVE TO:
 FANUC ROBOT ISO FLANGE WRIST #210F, 100P
 KAWASAKI ROBOT FLANGE WRIST #UX100-120-150 & UT100-120-150

(DO NOT SCALE DRAWING)



RF3 DATA SHEET



DOWELS ARE PARALLEL WITHIN $\pm .03\text{mm}$ [$\pm .001$ "] AND POSITIONAL TO EACH OTHER
BY $\pm .12\text{mm}$ [$.005$ "]

DO NOT EXCEED 12" TO PART

CAPABILITY SPECS:

1. 400 Lb-Ft MAX TORQUE
2. REPEATABILITY TO $\pm 0.12\text{mm}$ [$.005$ "] AT
300mm [12"] FROM CENTER

(DO NOT SCALE DRAWING)