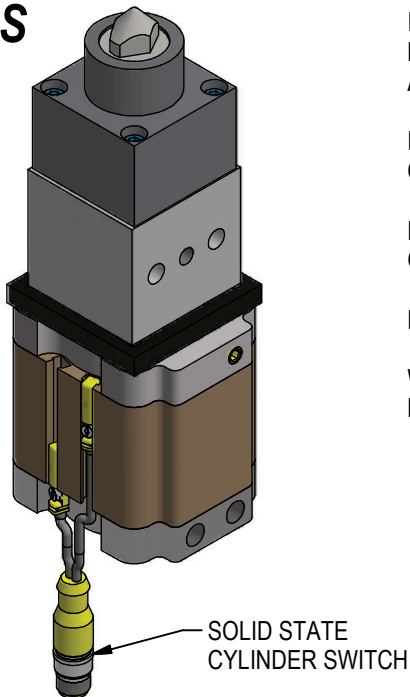


INLINE MINI PIN & OFFSET MINI PIN COMPACT RETRACTABLE LOCATING PINS

MPS



INLINE & OFFSET RETRACT PINS FOR REPEATABLE, PRECISION PART LOCATION. THE SMALLEST, LIGHTEST, FULL-FEATURE LOCATING PINS AVAILABLE.

FIXED NET SURFACE & PRIMARY PIN LOCATOR ARE COMBINED INTO ONE COMPONENT. VERSATILE NAAMS MOUNTING ON TWO SIDES.

EASY PIN CHANGE-OUT. PINS ARE INTERCHANGEABLE BETWEEN INLINE AND OFFSET - LOWER SPARE PARTS STOCKING COSTS.

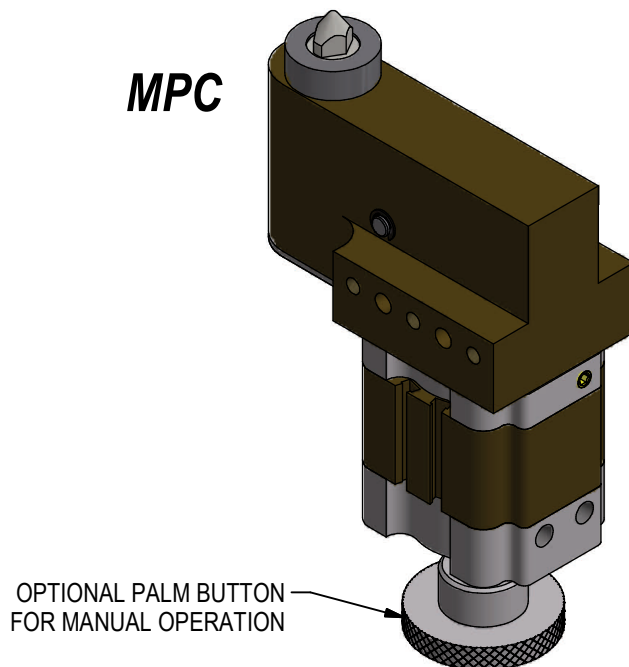
HARD ANODIZED ALUMINUM CONSTRUCTION, WEAR RESISTANT COATING.

WELKER ANTI-ROTATE TECHNOLOGY. RAP OR RIGID COUPLING. NO LUBRICATION NEEDED.

APPLICATIONS:

SEATING
END EFFECTORS
INSTRUMENT PANELS
EXHAUST
TRUNNIONS

MPC



RELEASED 1/29/21

INLINE MINI PIN MPS ORDERING INFORMATION

NOTE: ALL BOXES MUST BE FILLED IN FOR A COMPLETE PART NUMBER



Pin Diameter

1589 Pin Diameter
4.85 - 25.00mm
(15.89mm dia. shown)

XXXX Pin Styles 0 and X
000S Pin Blank Max 19mm Dia.
000L Pin Blank Max 25mm Dia.

Pin Style & Orientation

0 Pin Blank (Machined by Customer)
X No Pin
A 4-Way Round
B 2-Way Diamond
C 2-Way Diamond (Rotated 90°)

Backup Size

S Small 30mm Diameter Backup
L Large 35mm Diameter Backup

Coupler

A Rap
B Rigid

Port Position

A P1 Position
B P2 Position
C P3 Position
D P4 Position

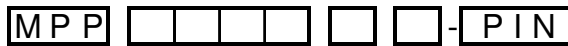
Switch

00 No Switch
LX See Cylinder Switch Chart

Actuator Options

32 50mm Bore with NPT Port
33 50mm Bore with G Port
36 50mm Bore Double Rod with NPT Port & Palm Button
37 50mm Bore Double Rod with G Port & Palm Button

To order replacement pins:



Pin Diameter

1589 Pin Diameter
000S For Pin Blank Max 19mm Dia.
000L For Pin Blank Max 25mm Dia.

Pin Style & Orientation

0 Pin Blank (Machined by Customer)
A 4-Way Round
B 2-Way Diamond
C 2-Way Diamond (Rotated 90°)

Backup Size

S Small 30mm Diameter Backup
L Large 35mm Diameter Backup

Switch	Part Number	Manufacturer	Description
Cylinder Switches	L3	SWITCH L3*	4-Wire, 4-Pin, DC (PNP) M12 X 1 Quick Disconnect
	L5	MK5113 Single sensor switch, 2 switches per cylinder	ifm Efector 3-Wire, 4-Pin, DC (NPN) M12 X 1 Quick Disconnect

Standard Switch Option - All other options may affect price and delivery

*Note that some mid and low frequency DC resistance applications (i.e. aluminum resistance welding applications) may cause a fault. In these applications, it is recommended that the sensor be ignored/bypassed during the welding cycle.

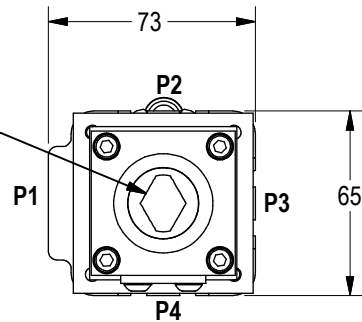
(DO NOT SCALE DRAWING)



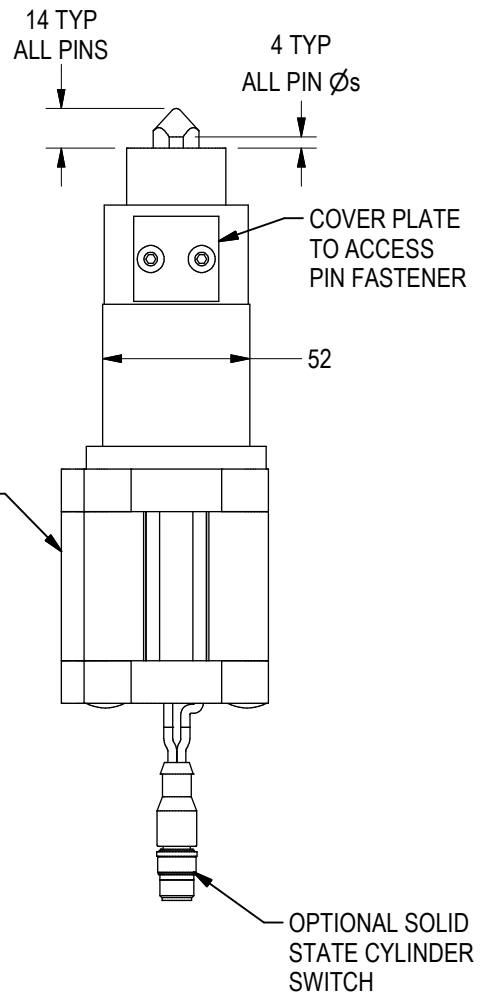
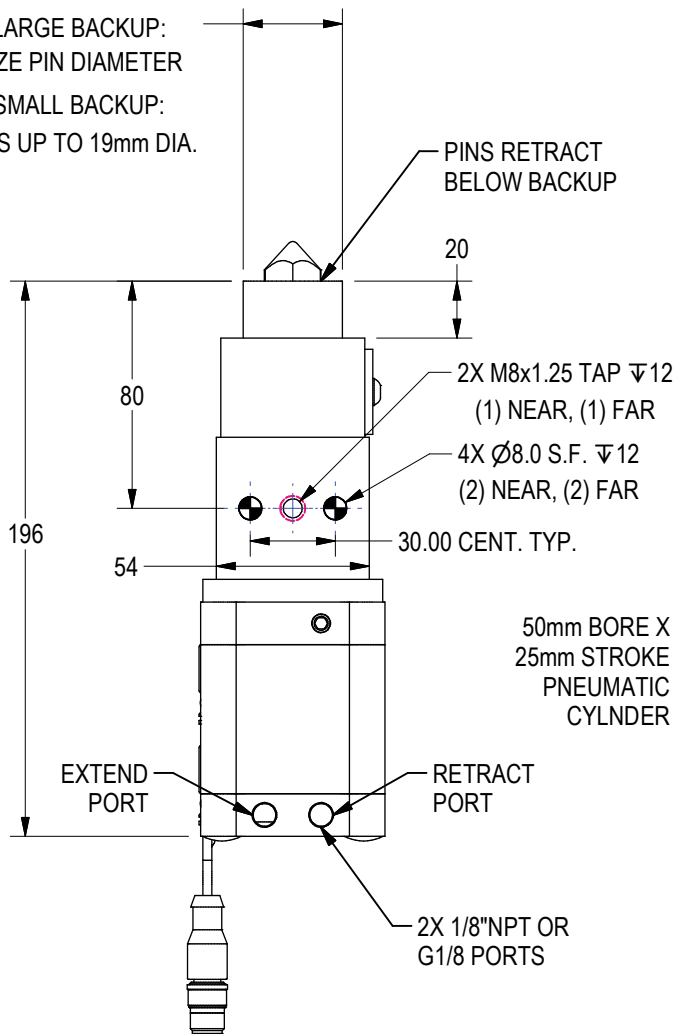
GENERAL DIMENSIONS INLINE MINI PIN MPS

DESIGNER'S NOTE: SHIMMING
RECOMMENDED FOR X, Y, AND Z

2-WAY PIN ORIENTATION "B" SHOWN
SEE SHEET 8 FOR DETAILS



Ø35 LARGE BACKUP:
ANY SIZE PIN DIAMETER
Ø30 SMALL BACKUP:
FOR PINS UP TO 19mm DIA.



UNIT WEIGHTS*	
MODEL	WEIGHT
MPS	3.6 LBS
MPC	5.4 LBS

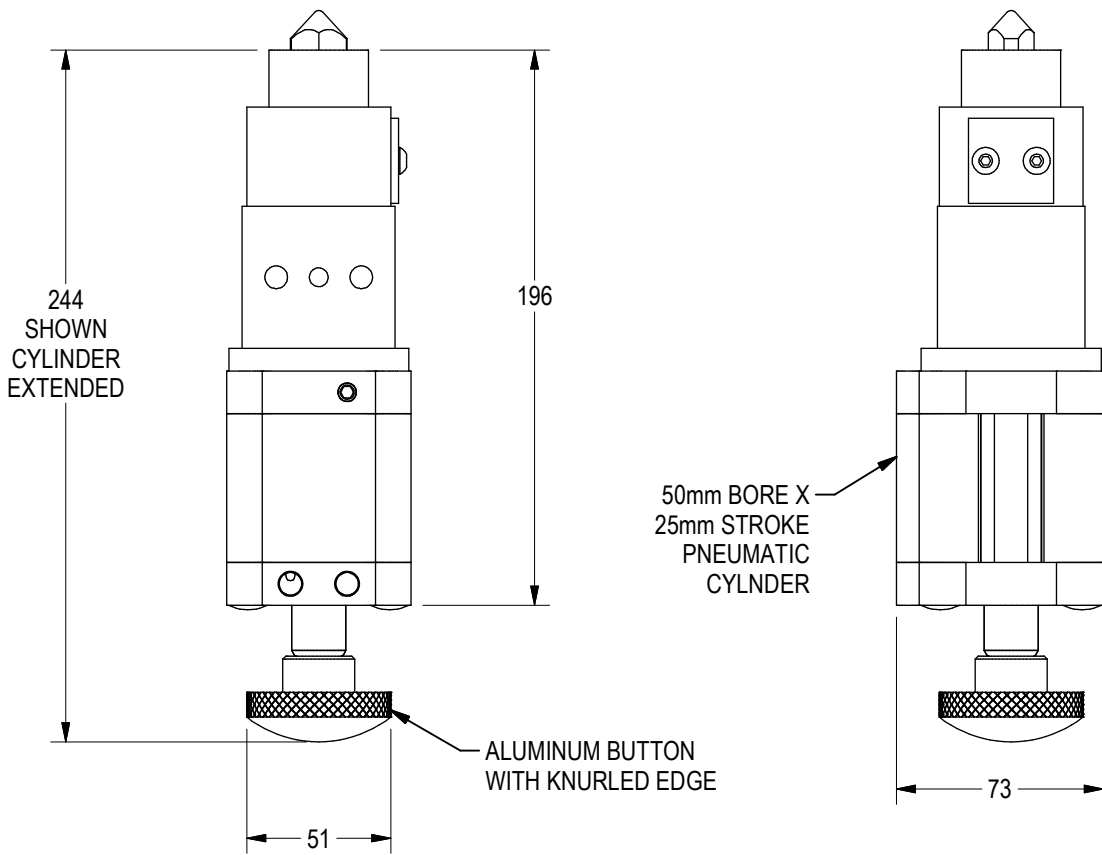
*WEIGHTS VARY WITH OPTIONS

(DO NOT SCALE DRAWING)

WELKER
ENGINEERED PRODUCTS
800-229-0890 www.welkerproducts.com

INLINE MINI PIN ~ PALM BUTTON OPTION

(FOR MANUAL OPERATION)



(DO NOT SCALE DRAWING)

WELKER
ENGINEERED PRODUCTS
800-229-0890 www.welkerproducts.com

OFFSET MINI PIN MPC ORDERING INFORMATION

NOTE: ALL BOXES MUST BE FILLED IN FOR A COMPLETE PART NUMBER

MPC

0
X

Pin Diameter

1589 Pin Diameter
4.85 - 19.00mm
(15.89mm dia. shown)

XXXX Pin Styles 0 & X

000S Pin Blank
Max 19.00 Dia.

Pin Style & Orientation

- 0 Pin Blank (Machined by Customer)
- X No Pin
- A 4-Way Round
- B 2-Way Diamond
- C 2-Way Diamond (Rotated 90°)

Actuator Options

- 32 50mm Bore with NPT Port
- 33 50mm Bore with G Port
- 36 50mm Bore Double Rod with NPT Port & Palm Button
- 37 50mm Bore Double Rod with G Port & Palm Button

Port Position

- A P1 Position
- B P2 Position
- C P3 Position
- D P4 Position

Switch

- 00 No Switch
- LX See Cylinder Switch Chart

To order replacement pins:

MPP

0
-
P
I
N

Pin Diameter

1589 Pin Diameter
XXXX For Pin Style 0
000S For Pin Blank
Max 19.00 Dia.

Pin Style & Orientation

- 0 Pin Blank (Machined by Customer)
- A 4-Way Round
- B 2-Way Diamond
- C 2-Way Diamond (Rotated 90°)

Switch	Part Number	Manufacturer	Description
Cylinder Switches	L3	SWITCH L3*	4-Wire, 4-Pin, DC (PNP) M12 X 1 Quick Disconnect
	L5	MK5113	3-Wire, 4-Pin, DC (NPN) M12 X 1 Quick Disconnect

Standard Switch Option - All other options may affect price and delivery

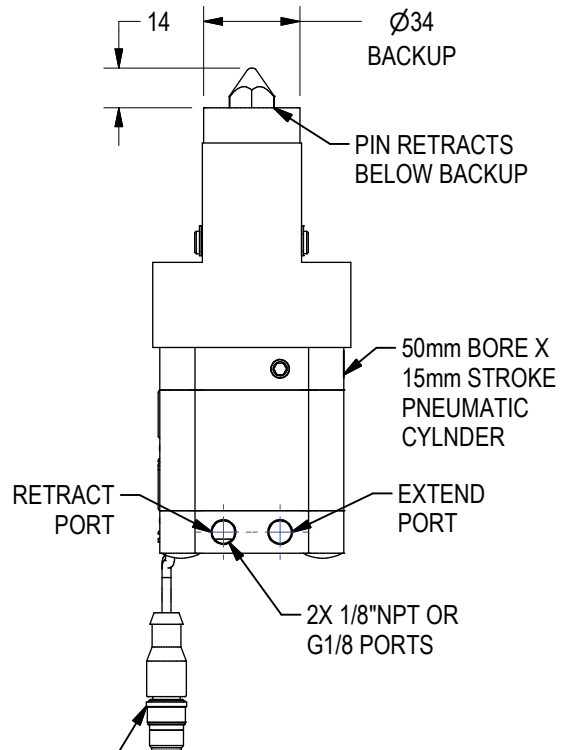
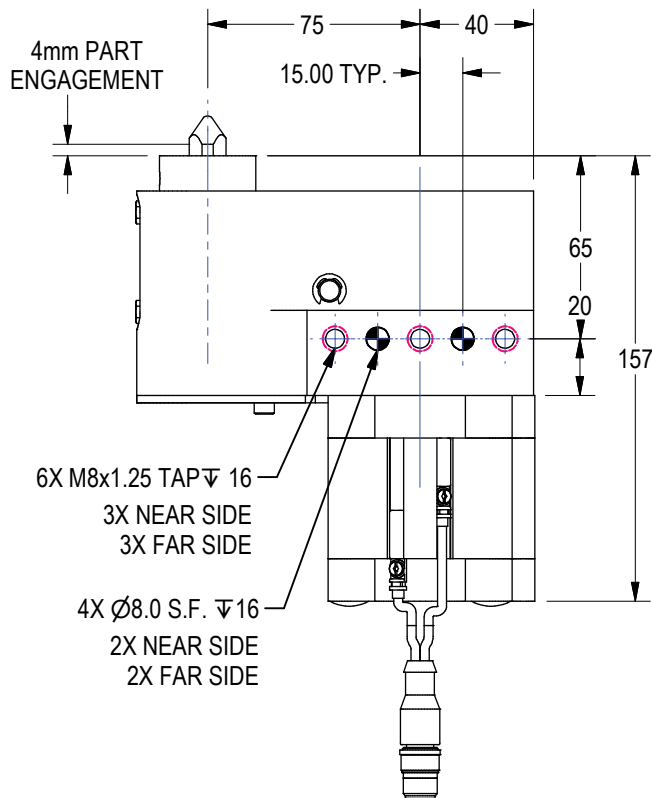
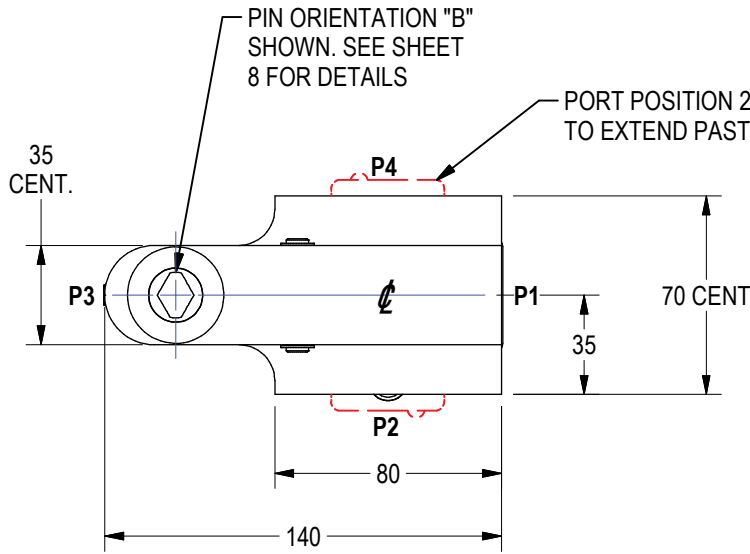
*Note that some mid and low frequency DC resistance applications (i.e. aluminum resistance welding applications) may cause a fault. In these applications, it is recommended that the sensor be ignored/bypassed during the welding cycle.

(DO NOT SCALE DRAWING)



GENERAL DIMENSIONS ~ OFFSET MINI PIN MPC

DESIGNER'S NOTE: SHIMMING
RECOMMENDED FOR X, Y, AND Z



OPTIONAL SOLID STATE
CYLINDER SWITCH



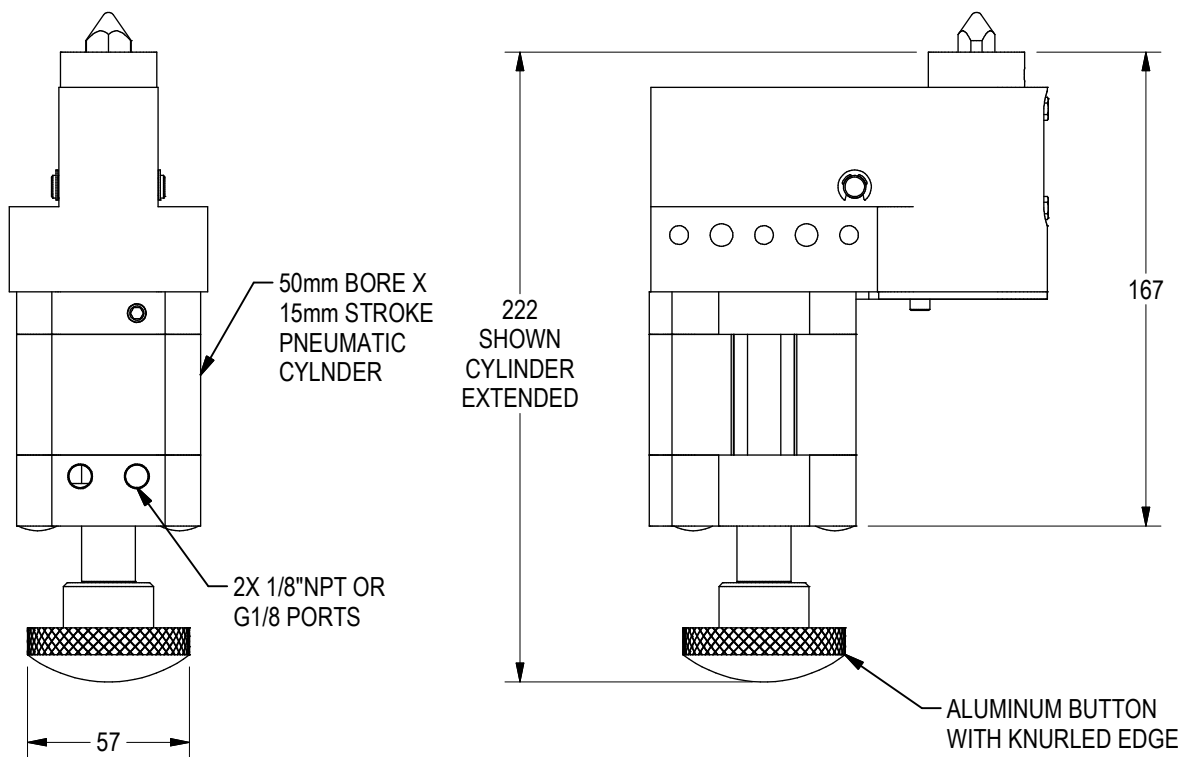
UNIT WEIGHTS*	
MODEL	WEIGHT
MPS	3.6 LBS
MPC	5.4 LBS

*WEIGHTS VARY WITH OPTIONS

(DO NOT SCALE DRAWING)

OFFSET MINI PIN ~ PALM BUTTON OPTION

(FOR MANUAL OPERATION)



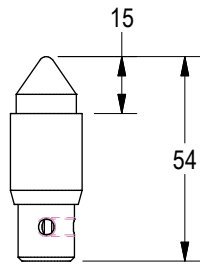
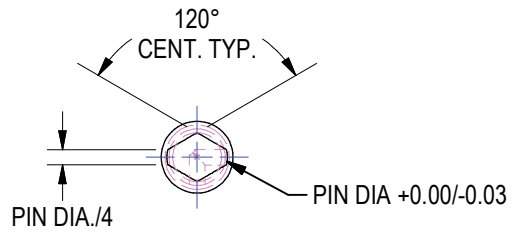
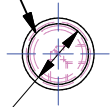
(DO NOT SCALE DRAWING)

WELKER
ENGINEERED PRODUCTS
800-229-0890 www.welkerproducts.com

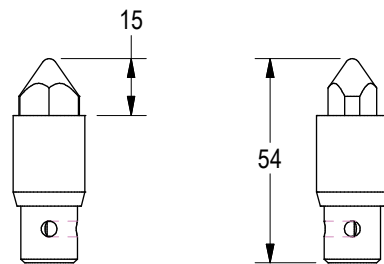
PIN STYLE & ORIENTATION OPTIONS

PINS ARE A2 TOOL STEEL
HARDENED TO Rc 58-62

PIN DIA +0.00/-0.03

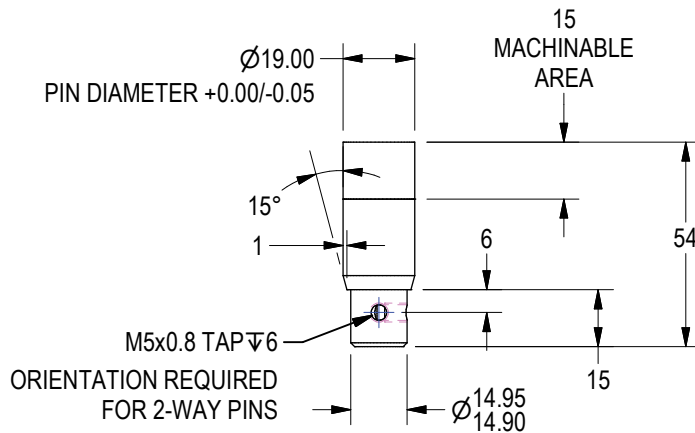
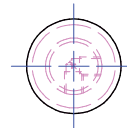
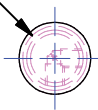


OPTION "A" PIN
4-WAY ROUND

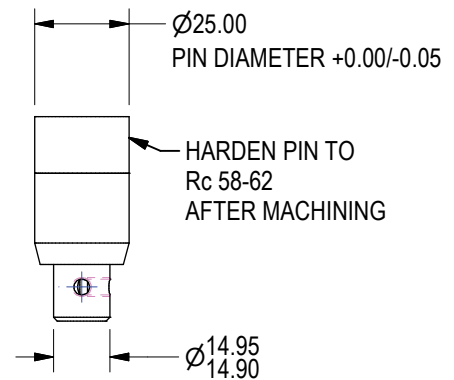


OPTION "B" OR "C" PIN
2-WAY DIAMOND

HARDEN PIN TO Rc 58-62
AFTER MACHINING



OPTION "000S" PIN
PIN BLANK FOR
SMALL BACKUP



OPTION "000L" PIN
PIN BLANK FOR
LARGE BACKUP

PIN NOTE:

PINS MANUFACTURED BY WELKER (OPTIONS A, B, & C) ARE HARDENED A2 TOOL STEEL. PIN BLANKS (OPTION "0") ARE SHIPPED UNHARDENED. HARDENING OF THE PIN AFTER MACHINING IS REQUIRED AND THE RESPONSIBILITY OF THE CUSTOMER.

(DO NOT SCALE DRAWING)

ENGINEERED PRODUCTS

800-229-0890 www.welkerproducts.com