

METER STOP



Suitable for all material handling applications.

Conveyors, trunion & table lockouts, assembly & test equipment.

Compact, yet robust

Max. continuous side load 70 LBF @ 60 PSI (Limited by cylinder size)

Max. impact load 50LB @ 30 FT/Min.

Hardened steel to hardened steel slide.

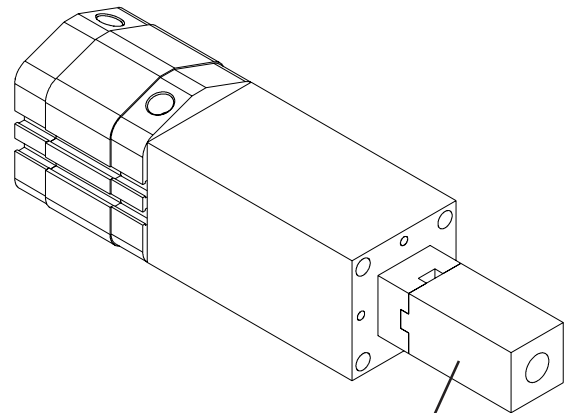
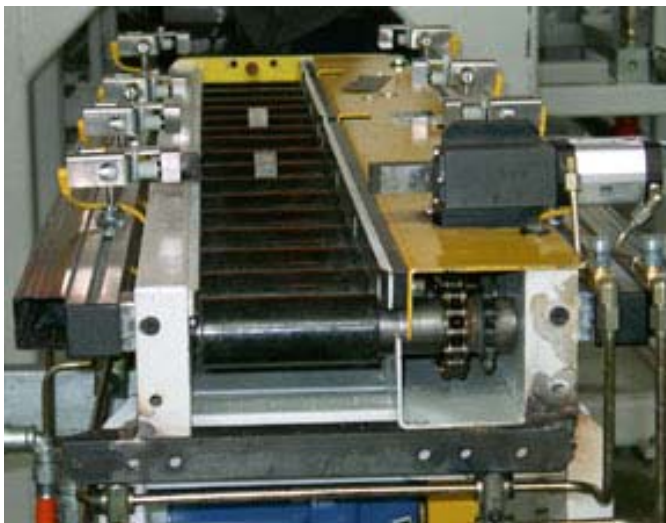
Compatible with any manufacturer's compact cylinder

25, 40mm standard stroke.

Standard or customized keyed end piece

Replaceable end of 4140 steel. Machinable, can be flamehardened.

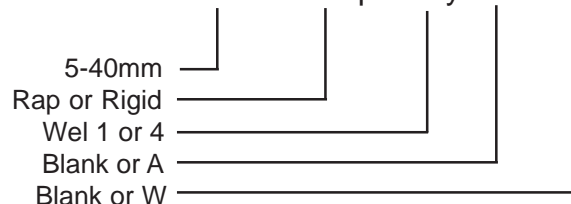
Vertical or horizontal mounting



Part Number

Optional Nose

MMS-25-Stroke-Coupler-Cyl-Nose-Wiper

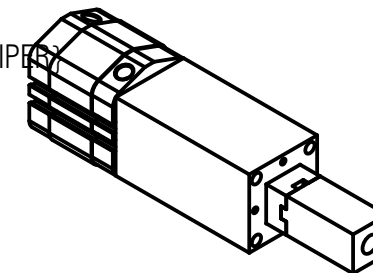


CYLINDER OPTIONS:

- WEL1 - PARKER COMPACT P1M AIR CYLINDER:
PART#P1M040CDMP9N-STROKE
- WEL2 - PARKER COMPACT P1M AIR CYLINDER W/ BSPP PORTS:
PART#P1M040CDMP6G-STROKE
- WEL4 - SMC COMPACT AIR CYLINDER:
PART#NCDQ2B-40-STROKE-DC
- WEL5 - SMC COMPACT AIR CYLINDER W/ G PORTS:
PART#ECDQ2B-40-STROKE-DC
- WEL6 - SMC COMPACT AIR CYLINDER W/ PT PORTS:
PART#CDQ2B-40-STROKE-DC
- WEL7 - NUMATICS UNIVERSAL COMPACT AIR CYLINDER:
PART#UND-SB040-STROKE-DB
- WEL8 - NUMATICS UNIVERSAL COMPACT AIR CYL W/ BSPP PORTS:
PART#UGD-SB040-STROKE-DB

ORDERING INFORMATION:

#MMS-25-{STROKE}-{COUPLER}-{CYL}-{NOSE}-{WIPER}
 5-40mm
 RAP or RIGID
 WEL _____
 <BLANK> or A
 <BLANK> or W

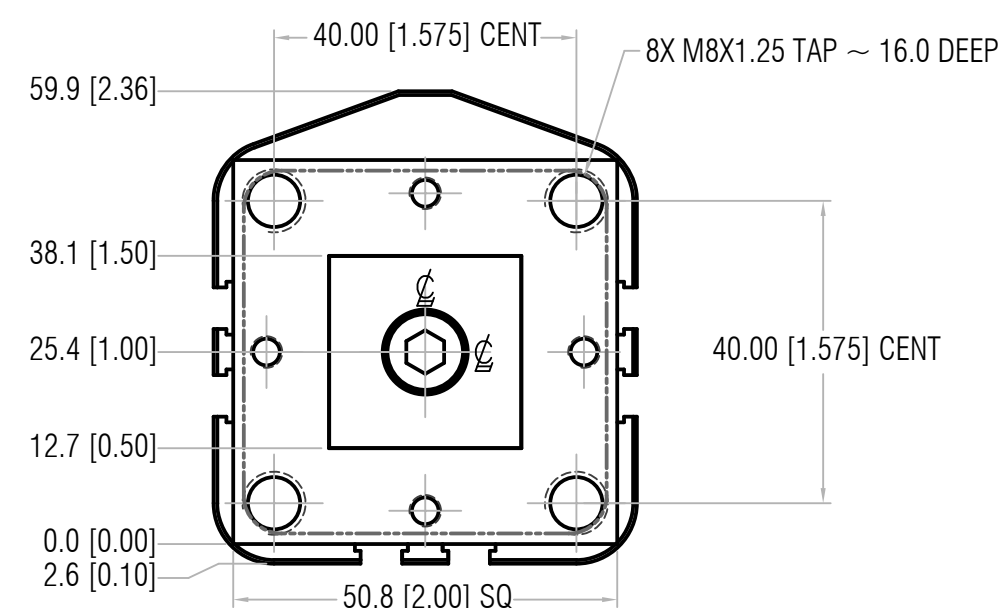
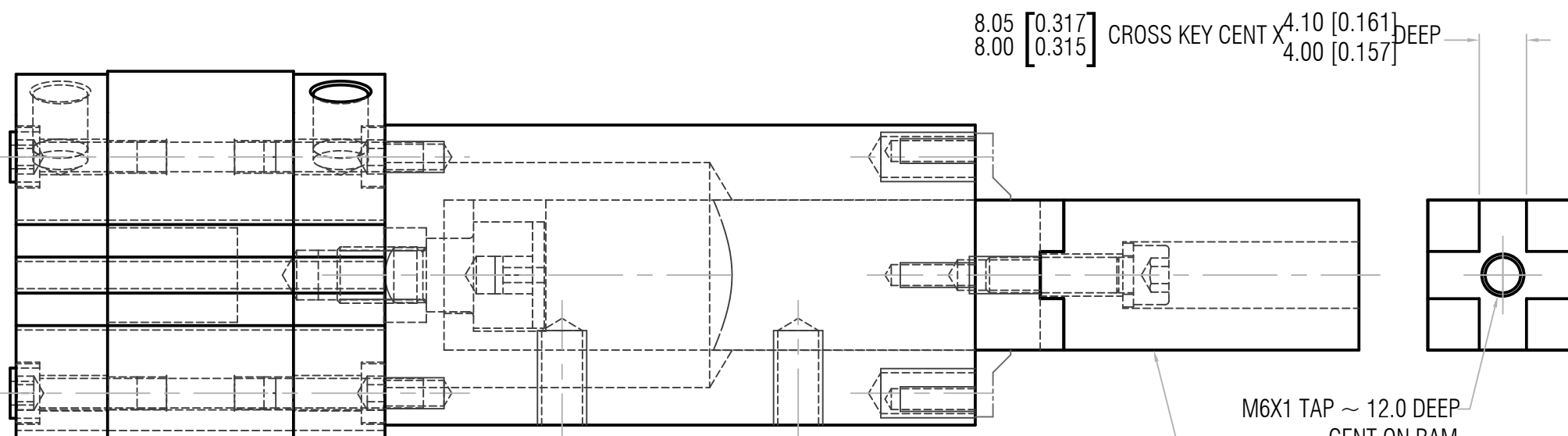
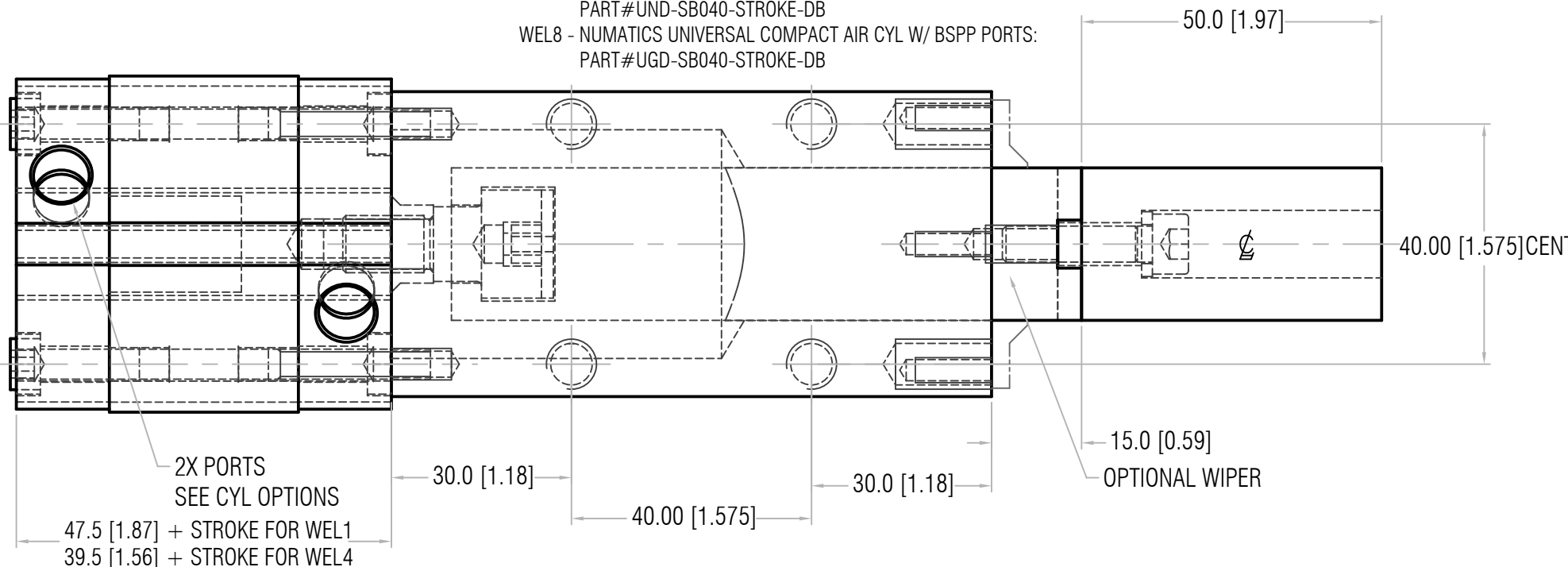


OPTIONS NOTES:

- 1) CYL OPTION: SEE CYL CHART.
- 2) COUPLER OPTION: RAP COUPLING CAUSES THE UNIT STROKE TO BE 2mm[.08"] LESS THAN THE NOMINAL STROKE OF THE CYLINDER.
- 3) NOSE OPTION: UNLESS OTHERWISE SPECIFIED, THIS UNIT WILL NOT COME WITH THE NOSE SHOWN. TO ORDER THE REPLACEABLE NOSE, ADD OPTION "-A".
- 4) WIPER OPTION: UNLESS OTHERWISE SPECIFIED, THIS UNIT WILL NOT COME WITH A WIPER. TO ORDER THE WIPER, ADD SUFFIX "-W" TO THE END OF THE PART NUMBER. IF THE WIPER IS ORDERED, THE (4) M8 TAPS IN THE FRONT OF THE BODY WILL NOT BE ACCESSIBLE.

PART NUMBER EXAMPLES:

TO ORDER UNIT AS SHOWN WITH 25mm STROKE & RIGID COUPLING, ORDER AS:
 #MMS-25-25-RIGID-WEL1-A
 TO ORDER UNIT WITH A RAP COUPLING, SMC CYL, NO NOSE & WIPER, ORDER AS:
 #MMS-25-23-RAP-WEL4-W



OPTION "A" REPLACEABLE STEEL NOSE CAN BE ALTERED BY CUSTOMER. REMOVE BEFORE ALTERING.



UNITS ARE MILLIMETERS
 (ie X.XXmm [X.XXX"])

DRAWN BY DJH		DATE 4/25/2005	CHKD BY JMP	ENG. APPROVAL
Date 1/3/2007	Status Released	SCALE Full	FILE NAME MMS25L01.dwg	