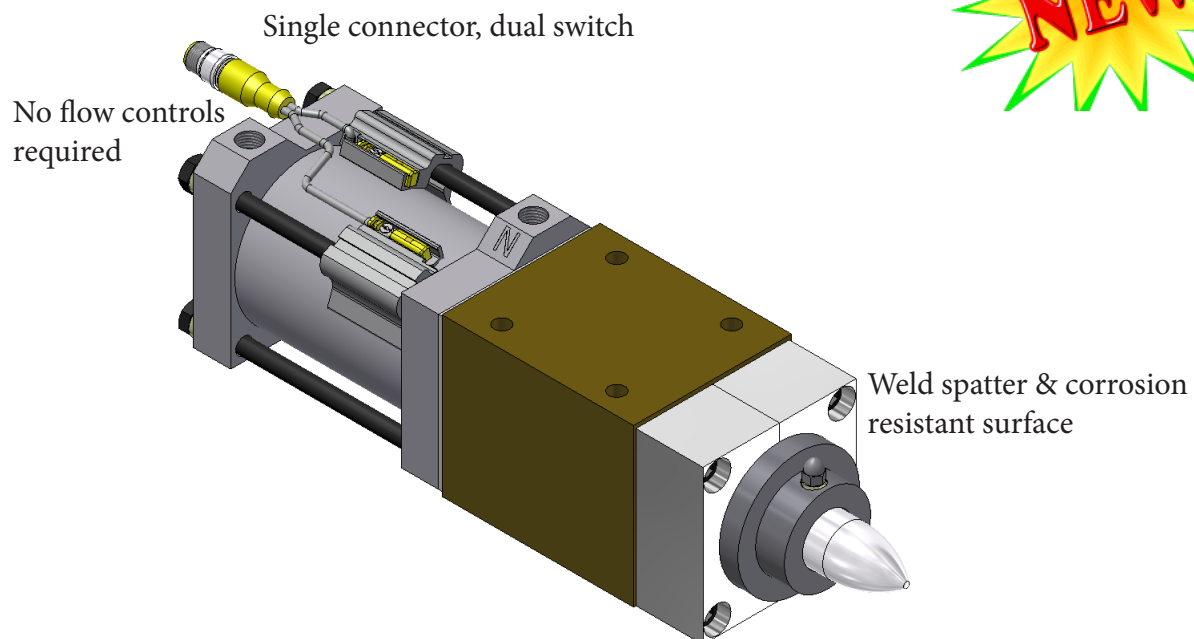


## FLOATING LOCATING UNIT

Provides the same rigidity as a fixed pin.



Eliminates gage hole damage, pin wear and the need to dump slide or retract nests and pins.

When engaged, provides true 4-way location with backup.

When disengaged, head is allowed to float radially 3mm and rotate up to 20 degrees.

Floating head is resistant to contaminants.

Available in either NAAMS pin version or custom pin / nest configuration.

Ideal for geo-nests, Datum blocks, framing and large fabrications.

Compact version for end of arm tooling available soon.

Manually actuated versions available.

CAD information available at [www.welkerproducts.com](http://www.welkerproducts.com)

**ORDERING INFORMATION**

F P 4 N X 0 1 2 0 L 0 A 0 0 0

- Actuator**
- 01 Welker 70mm Bore w/ NPT ports
  - 02 Welker 70mm Bore w/ G ports
  - 03 Welker 70mm Bore Dbl Rod w/ NPT ports
  - 04 Welker 70mm Bore Dbl Rod w/ G ports

- Mount Style**
- 1 Flat Mount
  - 2 NAAMS Pin Mount
  - 3 NAAMS Pin Mount w/ Backup(thru 25mm)
  - 4 NAAMS Pin Mount w/ Backup(25.01-40mm)

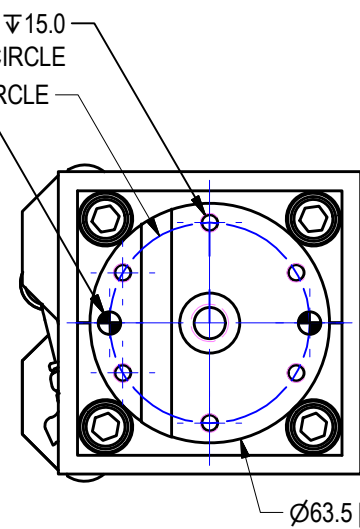
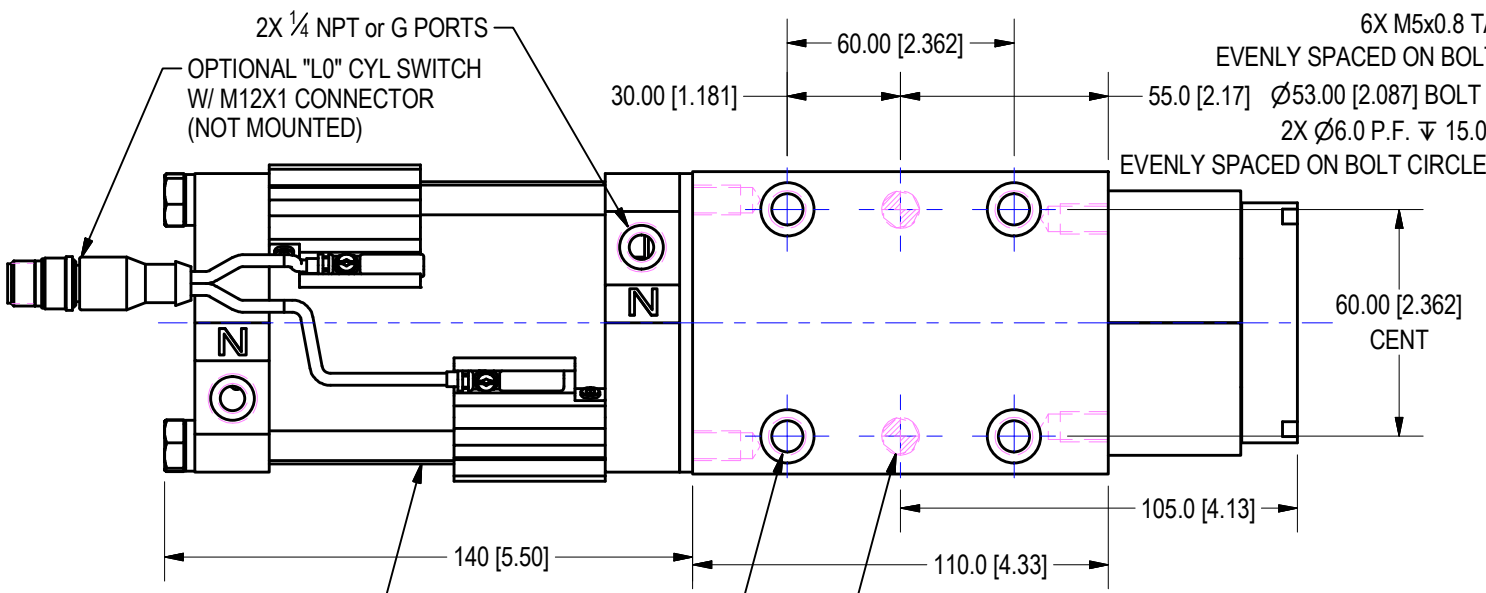
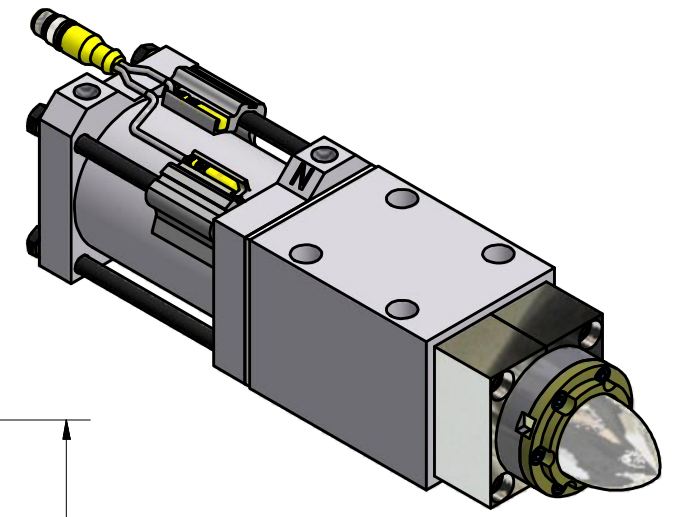
- Spring Extend**
- 0 No spring
  - E Spring Engaged

- Optional NAAMS Pin Size Code**
- 00 No Pin
  - 10 See "NAAMS Pins.xls"

- Optional NAAMS Pin Style Code**
- 0 No Pin
  - A See "NAAMS Pins.xls"

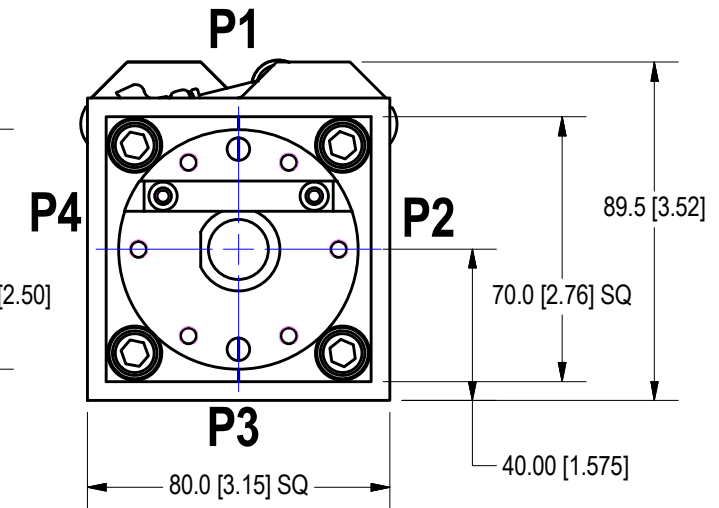
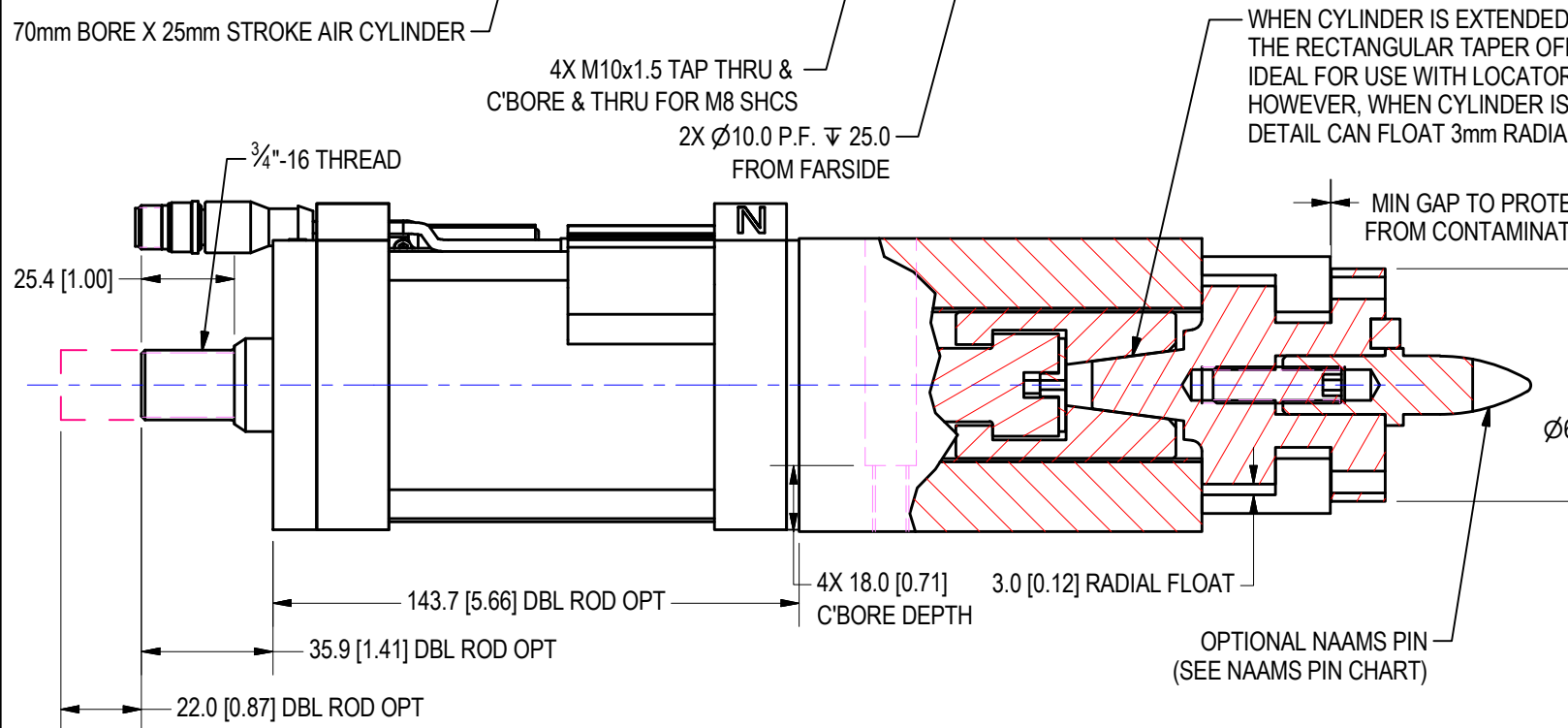
- Cylinder Port Position**
- A P1 Position
  - B P2 Position
  - C P3 Position
  - D P4 Position

- Switch**
- 00 No switch
  - L0 Cylinder Switch

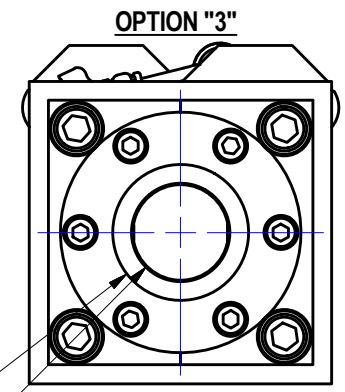


**OPTION "1" FLAT MOUNT SHOWN**

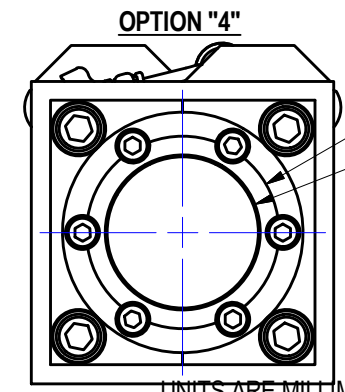
WHEN CYLINDER IS EXTENDED AND TAPER IS ENGAGED, THE RECTANGULAR TAPER OFFERS RADIAL ORIENTATION. IDEAL FOR USE WITH LOCATORS, NESTS & 2-WAY OR 4-WAY PINS. HOWEVER, WHEN CYLINDER IS RETRACTED, FLOATING DETAIL CAN FLOAT 3mm RADIALLY & ROTATE UP TO ± 25°.



**OPTION "2" NAAMS PIN MOUNT SHOWN**



**OPTIONAL NAAMS PIN MOUNT WITH BACKUP**



UNITS ARE MILLIMETERS (i.e.X.XXmm [x.xxx"])  
DO NOT SCALE DRAWING

APPROX UNIT WEIGHT = 5.5kg [12lbf]

<b>WEKER BEARING COMPANY</b>					
TOOL NAME: FLOATING PIN					
TEMPLATE					
DATE	STATUS	DRAWN BY	DATE	CHK'D BY	ENG APPROVAL
10/1/2010	Released	D.J.H.	10/1/2010	GSK	
SCALE	HALF	FILE NAME	FP4L01		