

- Flex Slide Features**
- Perfect for part families, multiple bracket loading, model changeover
 - Infinitely adjustable
 - Compatible with powered DeviceNet I/O blocks
 - Slide carriage electrically locks into position with zero backlash
 - Transition plates available for pin clamps, shot pins, lockout pins
 - Can also mount grippers, power clamps, etc.
 - Optional analog DC Linear prox switch repeatable to ± .004" (50, 100mm) ± .008" (150, 200mm)
 - 50 lbs. slide capacity
 - Approx. unit weight: 32 lbs.

ORDERING INFORMATION



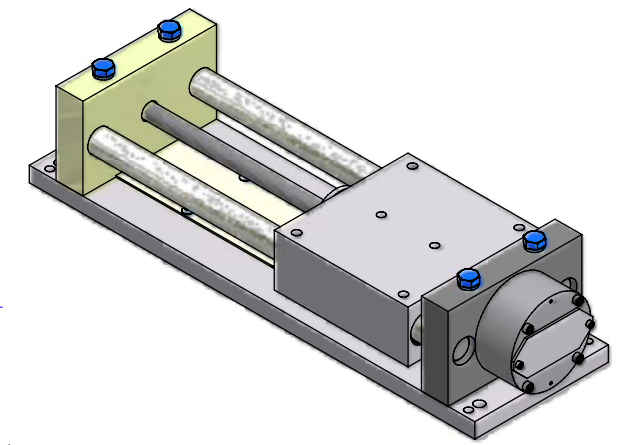
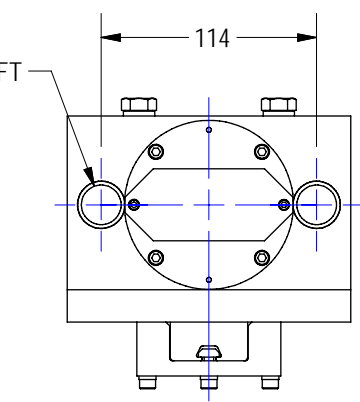
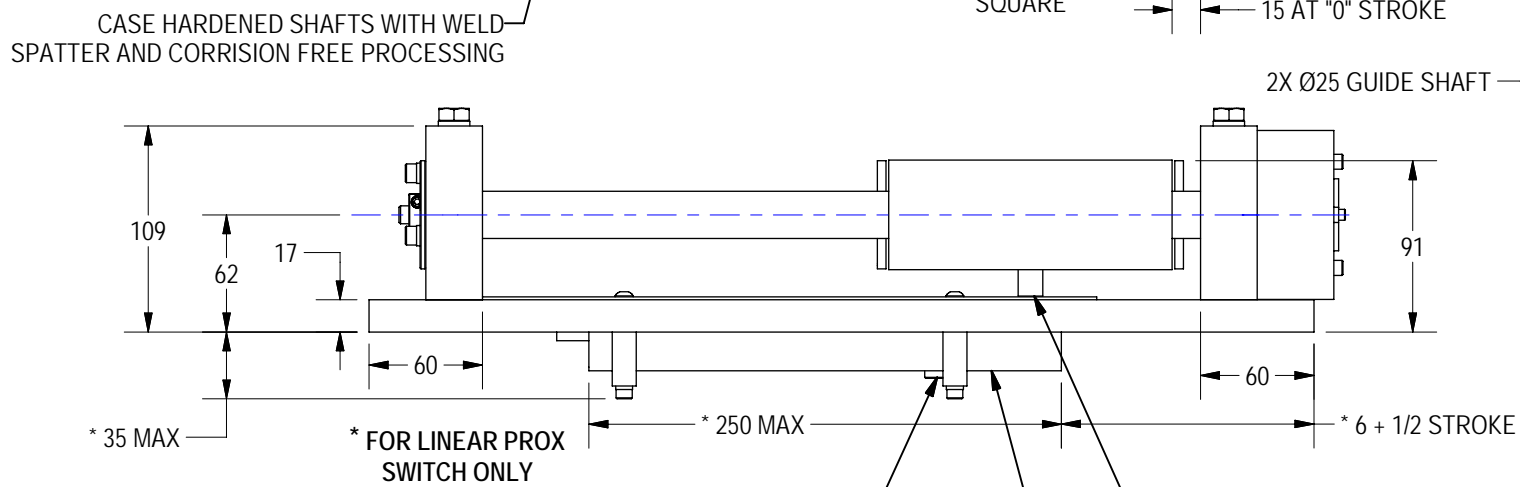
Series
FS2

Travel
050 50mm Travel
100 100mm Travel
150 150mm Travel
200 200mm Travel

Brake Option
0 None
A DC
B AC

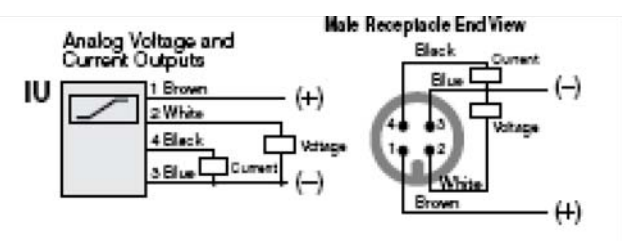
Linear Prox Switch
0 None
A Switch

Actuation Option
0 None
1 DC Stepper
2 Servo



LINEAR PROX SWITCH OPTION "A" SPECIFICATIONS

Technical Specifications	
SUPPLY VOLTAGE	18-30 VDC
SUPPLY CURRENT	< 40 mA
OUTPUT	Suffix U Analog 0-10 V
	Suffix IU Analog 4-20 mA/0-10 V
	Suffix IE8 Analog 4-20 mA and 2 x PNP N.O.
PNP OUTPUT VOLTAGE DROP	≤ 3V
PNP OUTPUT LOAD CURRENT	0-100 mA
REPEATABILITY	± 0.05 mm
LINEARITY	± 0.4 mm
TEMPERATURE DRIFT	± 0.5 mm
LOAD RESISTANCE	Voltage Outputs > 1000 Ω
	Current Outputs < 400 Ω
SHORT CIRCUIT AND OVERLOAD PROTECTION	Yes
REVERSE POLARITY PROTECTED	Yes
LED INDICATION	See dimension drawings
HOUSING MATERIAL	P112, F90 PA6
	F110 Aluminum, PA6
STANDARDS	EN 60947-5-2
ENVIRONMENTAL PROTECTION	IP67
AMBIENT TEMPERATURE	-13 °F to +158 °F (-25 °C to +70 °C)
APPROVALS	CE UL



UNITS ARE MILLIMETERS
(i.e. X.XXmm [x.xxx"])
DO NOT SCALE DRAWING

EXCEPT AS NOTED
DECIMAL TOL. SHALL BE:
0 PLACE (FRACTIONS) ± .400 [1/64"]
1 PLACE ± .200 [0.010"]
2 PLACE ± .100 [0.005"]
3 PLACE ± .010 [0.0005"]
ALL DOWEL LOC ± 0.010 [0.0005"]
BETWEEN HOLES

EXCEPT AS NOTED, MAXIMUM
ALLOWABLE ROUGHNESS SHALL BE:
1 PLACE FINISH 6 MICRONS (250 MICROINCHES)
2 PLACE FINISH 3 MICRONS (125 MICROINCHES)
3 PLACE FINISH 1.6 MICRONS (63 MICROINCHES)

REV	DATE	STATUS	DESCRIPTION
1	10/25/2007	Released	Created

WEKER BEARING COMPANY

TOOL NAME: FLEX SLIDE

DRAWN BY: JMP	DATE: 10/25/2007	CHKD BY: DJH	ENG APPROVAL:
SHEET: 2	OF: 2	FILE NAME:	FS2L01
SCALE: 1:4			