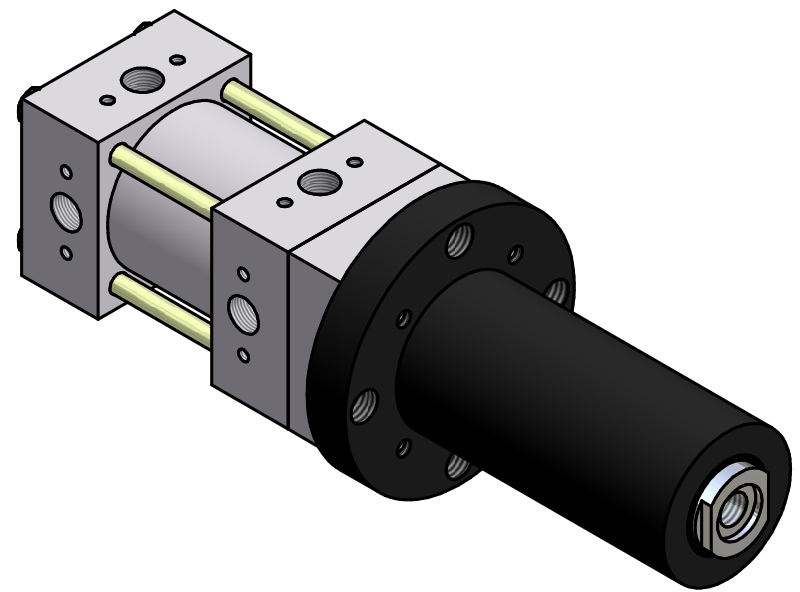
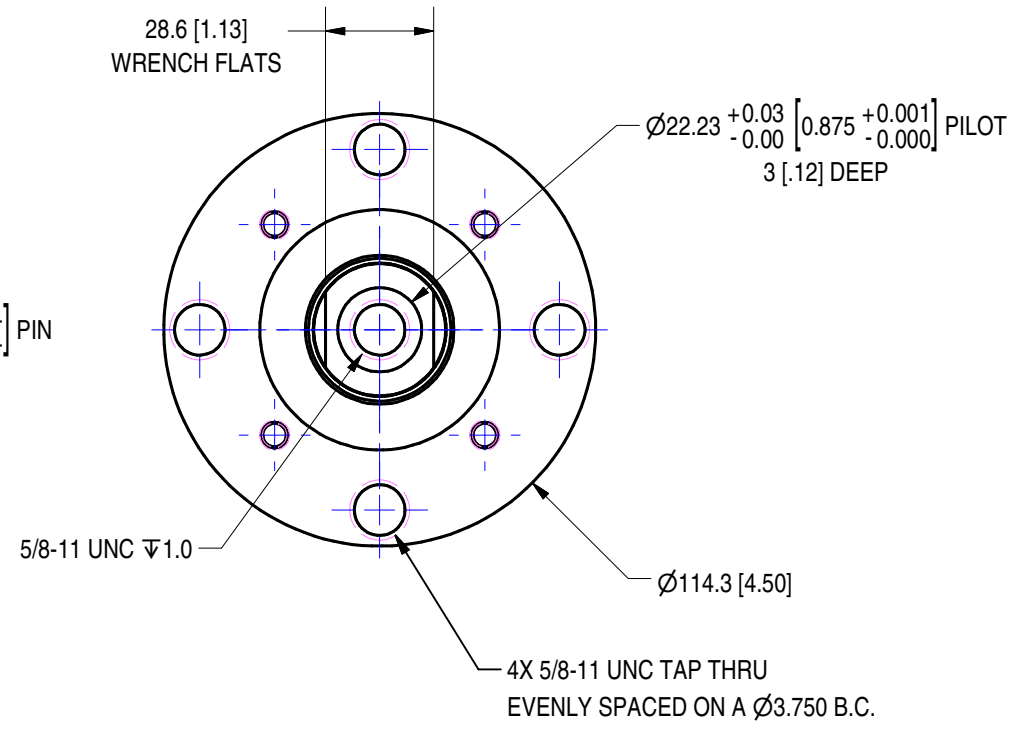
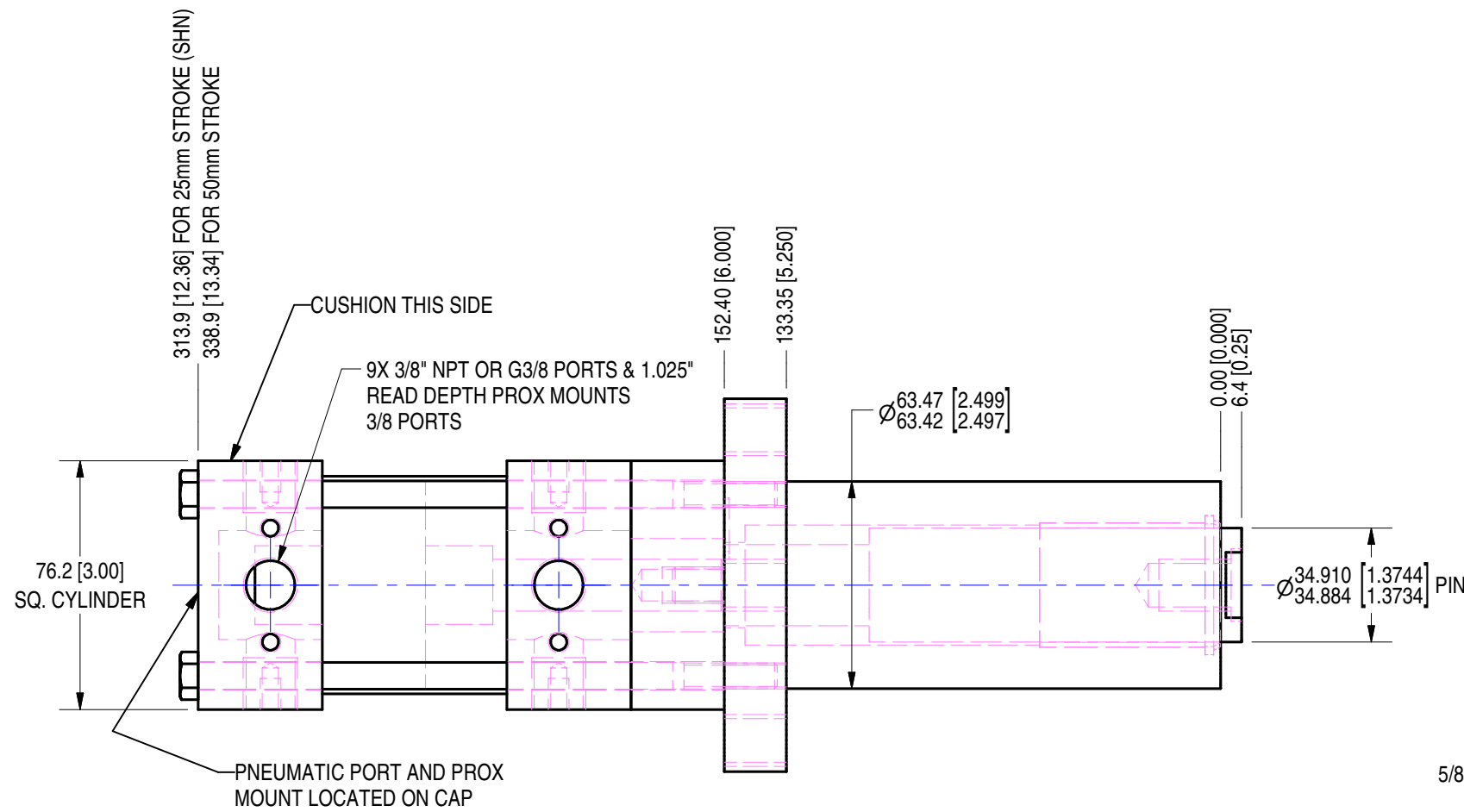


ORDERING INFORMATION:
 #FRP-{STROKE}-{CYLINDER OPTIONS}
 1 or 2 _____ <BLANK> or G

- NOTES:**
- 1) **CYL INFO:** FRP COMES STANDARD WITH WELKER 63mm BORE AIR CYLINDER.
 - 2) **CYLINDER OPTIONS:** LEAVE BLANK TO ORDER A STANDARD WELKER CYLINDER WITH NPT PORTS. USE "G" FOR A WELKER CYLINDER WITH G (BSPP) PORTS.
 - 3) 5/8-11 TAP IN END OF RAM IS TO BE USED FOR MOUNTING NOSE DETAILS. DO NOT USE THE ADDED NOSE TO CARRY A LOAD. ALL LOCKOUT LOADS ARE TO BE CARRIED DIRECTLY BY THE RAM.



UNIT WEIGHT: 16 LBS.
 UNITS ARE MILLIMETERS
 (i.e.X.XXmm [x.xxx"])
 DO NOT SCALE DRAWING

WELKER BEARING COMPANY					
TOOL NAME 1-2" STROKE LOCKOUT PIN ASSEMBLY					
TEMPLATE					
DATE	STATUS	DRAWN BY	DATE	CHK'D BY	ENG APPROVAL
9/15/2006	Released	GSK	9/4/2001	RCA	
SCALE 1:2		FILE NAME		FRP01L01	