

ORDERING INFORMATION: #DSP125-{CYL OPTION}-{SWITCH OPTION}-{MTG FLANGE}

**CYLINDER OPTIONS:**

- (NOTE: ALL CYLINDERS ARE 40mm BORE COMPACT AIR CYLINDERS)
- OPTION "-WEL1": PARKER P1M CYLINDER W/ NPT PORTS
- OPTION "-WEL2": PARKER P1M CYLINDER W/ G PORTS
- OPTION "-WEL4": SMC NCDQ2 CYLINDER W/ NPT PORTS
- OPTION "-WEL5": SMC CDQ2 CYLINDER W/ G PORTS
- OPTION "-WEL7": NUMATICS UNIVERSAL CYLINDER W/ NPT PORTS
- OPTION "-WEL8": NUMATICS UNIVERSAL CYLINDER W/ G PORTS

**MOUNTING FLANGE OPTION:**

- OPTION "-A"; LEAVE BLANK IF NOT REQUIRED
- SEE MOUNTING FLANGE SHEET FOR DIMENSIONS

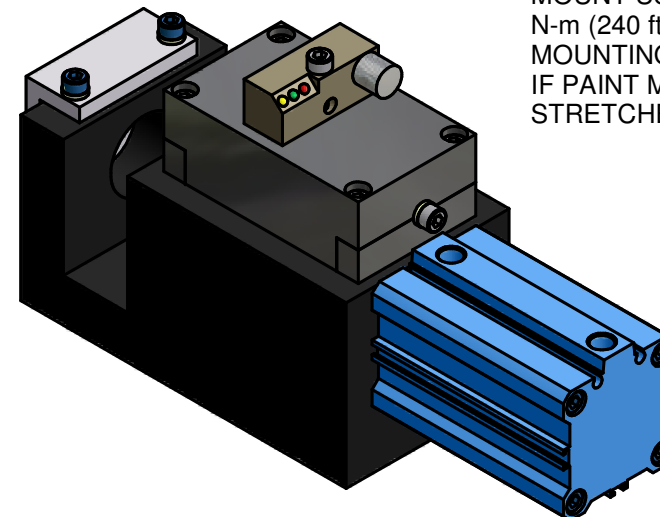
**Switch Options**

Order Number	Part Number	Manufacturer	Description	
<b>World Switches</b>	SWA	Ni2-Q6.5-AP6-0.1-FS 4.4X3/S304	Turck	3-Wire, 4-Pin, DC M12 X 1 (PNP) Quick Disconnect
	SWB	Ni2-Q6.5-ADZ32-0.1-FSB 5.4X4/S304	Turck	4-Wire, 5-Pin, AC/DC 1/2-20 (N.O.) Quick Disconnect
	SWC	Ni2-Q6.5-AN6-0.1-FS 4.4X3/S304	Turck	3-Wire, 4-Pin, DC M12 X 1 (NPN) Quick Disconnect
	SWD	NBN2-F581-100S6-E8-V1	Pepperl & Fuchs	3-Wire, 4-Pin, DC M12 X 1 (PNP) Quick Disconnect
	SWE	Z02KR2-PSC20F-P100-S04-V	Balluff	3-Wire, 4-Pin, DC M12 X 1 (PNP) Quick Disconnect
	SWF	871D-MM2GP100A-D4	Allen Bradley	4-Wire, 4-Pin, DC M12 X 1 (PNP) Quick Disconnect
	SWG	871D-JW2G100A-R5	Allen Bradley	5-Wire, 5-Pin, AC/DC 1/2-20 (N.O.) Quick Disconnect
	SWH	Ni2-Q6.5-0.1M-BDS-2AP6X3-H1141/S34	Turck	3-Wire, 4-Pin, DC M12 X 1 (PNP) Quick Disconnect
	SWJ	IN5374	Efactor	4-Wire, 4-Pin, DC M12 X 1 (PNP) Quick Disconnect

**STATIC LOAD RATING:**

25,000 lbf EACH LOAD CYCLE UP TO 100 CYCLES.  
 DSP MUST BE REPLACED AFTER ONE LOAD BETWEEN 25,000lbf--50,000lbf.  
 DO NOT INSPECT AND REUSE.

MOUNT USING GRADE 12.9 SHCS. FASTENER SEATING TORQUE IS 330 N-m (240 ft-lbf). PAINT MARK INSTALLATION FASTENERS. INSPECT MOUNTING FASTENER TORQUE PERIODICALLY (BASED ON APPLICATION). IF PAINT MARKED FASTENERS FURTHER TIGHTEN, THEY HAVE STRETCHED. REPLACE FASTENERS FOR LOADS UNDER 25,000 lbf.



UNITS ARE MILLIMETERS  
 (i.e.X.XXmm [x.xxx"])  
 DO NOT SCALE DRAWING

<b>WELKER</b>					
BEARING COMPANY					
TOOL NAME DSP125 LOCKOUT PIN ASSEMBLY					
TEMPLATE					
DATE	STATUS	DRAWN BY	DATE	CHK'D BY	ENG APPROVAL
10/19/2005	Released	DJH	10/19/2005	JMP	
SCALE HALF		FILE NAME		DSP125L01	