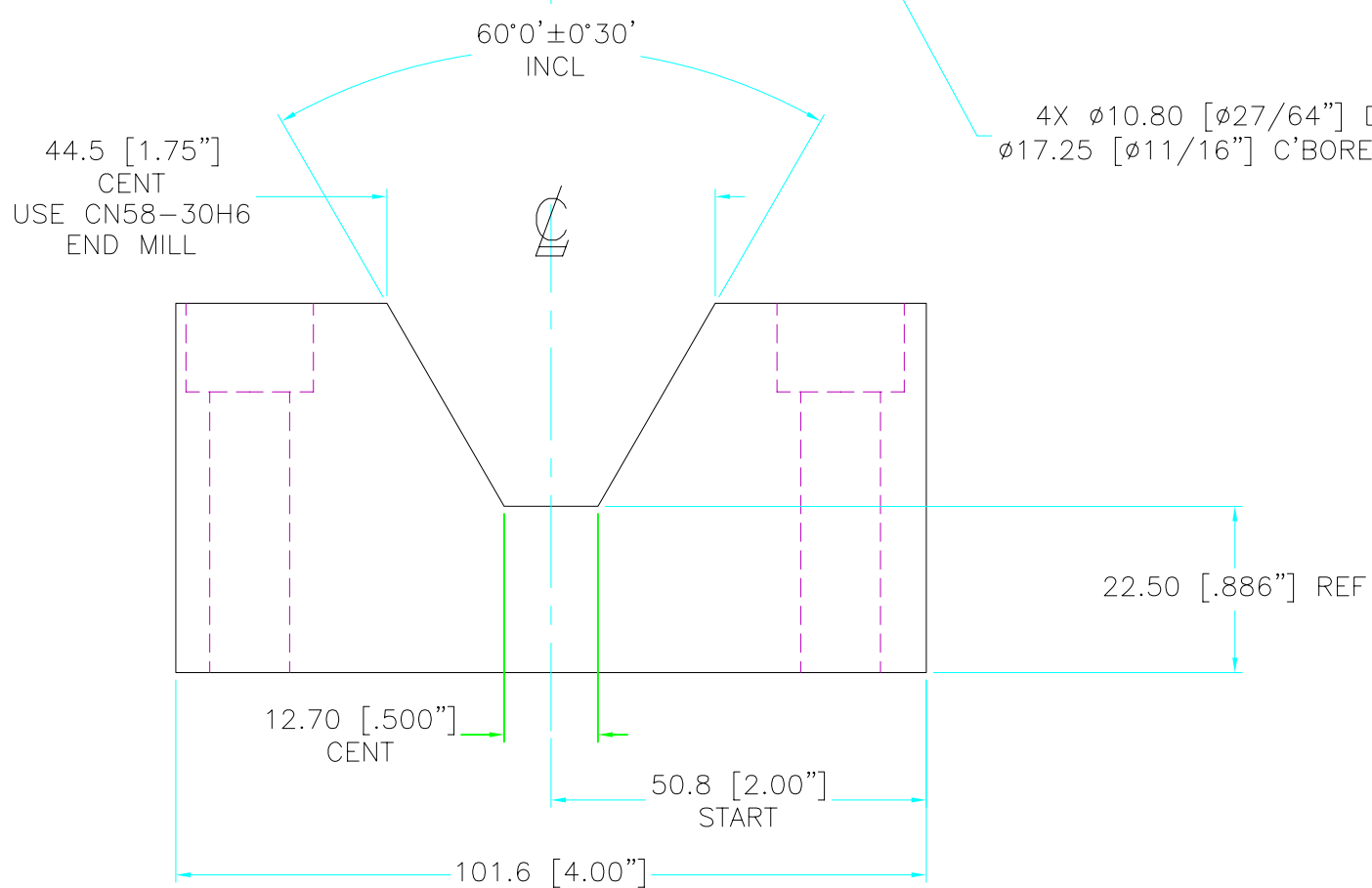


FINISH TO CLEAN UP



HEAVY DUTY LOCKOUT RECEIVER ~ (1) REQ'D  
 MAT'L ~ 4" X 4" X 50.0mm ~ HRS A36  
 BREAK ALL SHARP EDGES  
 CARB & HDN Rc 45-50  
 BLACK OXIDE FINISH

UNITS ARE MILLIMETERS  
 (ie X.XXmm [X.XXX"])  
 DO NOT SCALE DRAWING

Version 1  
 Status as of 5/24/1999  
 Released

EXCEPT AS NOTED  
 DECIMAL TOL. SHALL BE:  
 1 PLACE ±.200mm [.010"]  
 2 PLACE ±.100mm [.005"]  
 3 PLACE ±.0100mm [.0005"]  
 ALL DOWEL LOC ±.0100mm [.0005"]  
 BETWEEN HOLES

<b>WEKER</b> BEARING COMPANY			
TOOL NAME HEAVY DUTY LOCKOUT - RECEIVER			
DRAWN BY RCA	DATE 5/28/2019	ENG. APPROVAL	DATE
CHK'D BY DJH	DATE	PART NUMBER	
SHEET	OF	TOOL NUMBER	
SCALE HALFFULL		BRP01E90	